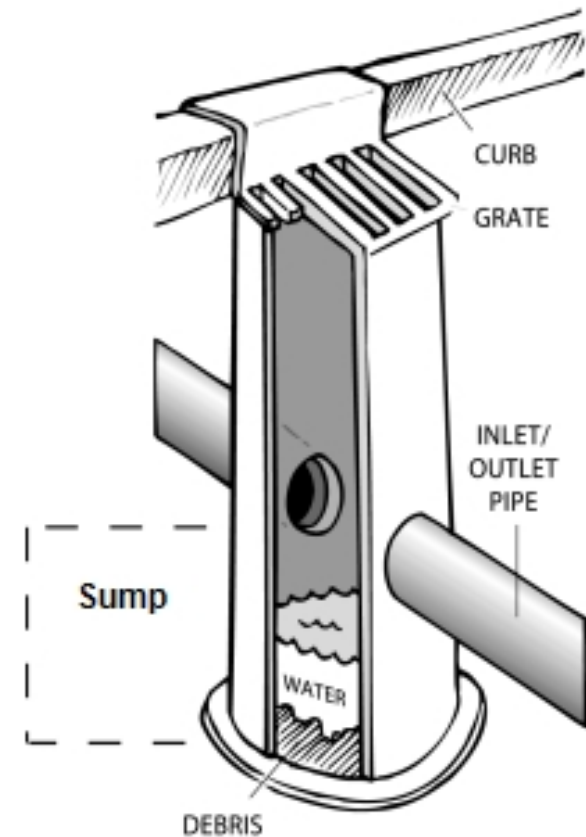


Checking Sediment Depth in Your Stormwater System

Catch Basins, Vaults, Tanks and Oil/Water Separators

To find out how much sediment has accumulated in the sump or storage area of your stormwater system, follow these steps:

1. Insert a long metal rod or broomstick through the grate of the catch basin (or remove the lid on vaults and tanks) until you hit the bottom of the structure.
2. Mark the location of the lid on the rod or stick.
3. Pull the rod up so that the end is at the bottom of the outlet pipe. Mark the location on the rod or stick. The difference between the two marks is the **sump depth** – the distance from the bottom of the structure to the bottom of the outlet pipe.
4. Pull the rod or stick out and note where the sediment level is on the rod.
5. Cleaning is required for:
 - Catch basins – when the sediment depth in the sump is **within 6” of the bottom of the outlet** pipe, or the sump is over **60%** full.
 - Vaults, tanks and oil/water separators – when the sediment **depth in the sump is 6”** or more, or the sump is over **10%** full.



Graphic by David Zinn