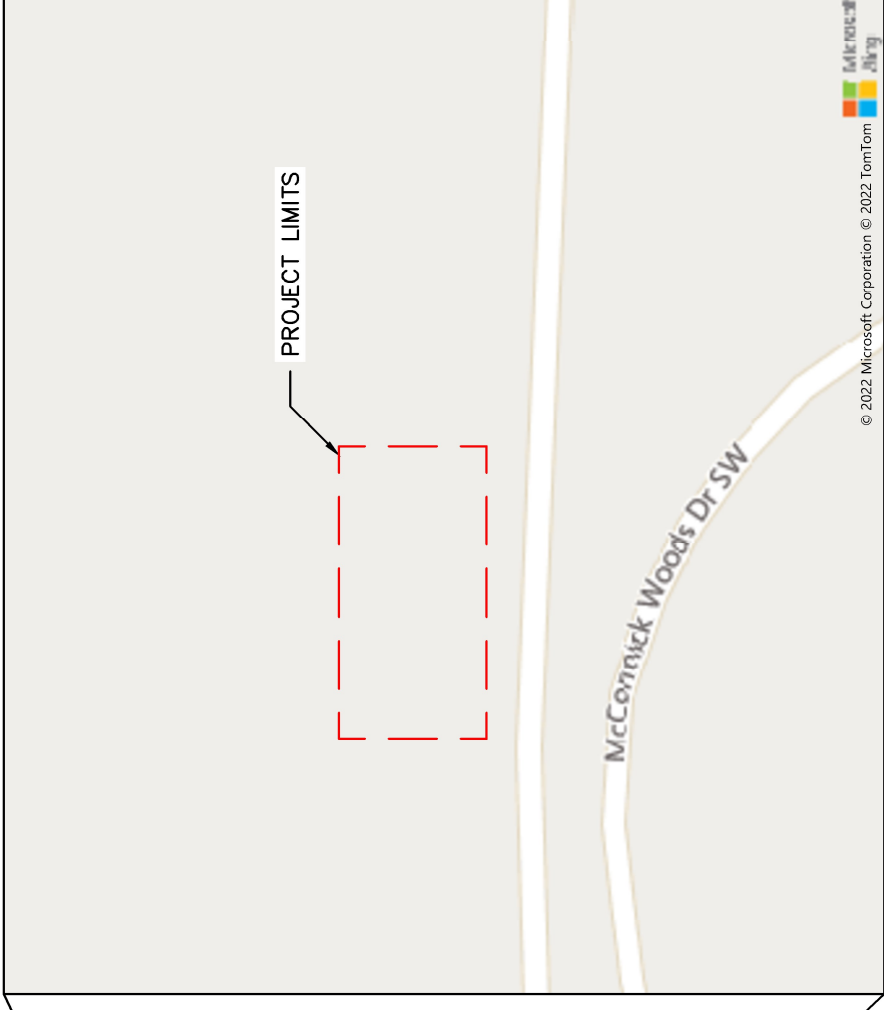


**COUNTY STORMWATER PROJECT No. 2022-001
6428 SW GLENWOOD ROAD
STORMWATER RETROFIT**

SHEET INDEX	
SHEET #	SHEET DESCRIPTION
1	COVER SHEET
2	LEGEND, ABBREVIATIONS, & NOTES
3	DEMOLITION
4	FINAL DESIGN
5	FINAL DESIGN
6	FINAL DESIGN
7	PIPE ALIGNMENT 1
8	PIPE ALIGNMENT 2
9	PIPE ALIGNMENT 3
10	DETAILS 1-4
11	DETAILS 5-8
12	DETAILS 9-12
13	DETAILS 13-16
14	PIPE CROSS SECTIONS
15	PIPE CROSS SECTIONS
16	PIPE CROSS SECTIONS
17	PIPE CROSS SECTIONS
18	DRIVEWAY CROSS SECTIONS
19	SWALE CROSS SECTIONS



VICINITY MAP



PROJECT MAP



BOARD OF COMMISSIONERS: DIRECTOR OF PUBLIC WORKS
 CHARLOTTE GARRIDO
 ROBERT GELDER
 EDWARD E. WOLFE

ANDREW B. NELSON, P.E.

11/02/2022



KITSAP COUNTY
 DEPT. OF PUBLIC WORKS
 614 DIVISION STREET MS-26
 PORT ORCHARD, WA 98366
 TEL:(360) 337-5777 FAX:(360) 337-4887

**6428 SW GLENWOOD ROAD
 STORMWATER RETROFIT
 COVER SHEET**

WORK ORDER #: XX

SDAP #: XX

DATE
11/3/22

SHEET
1
OF
19

SYMBOL LEGEND

	CATCH BASIN
	STORM DRAIN MANHOLE
	STORM DRAIN CLEAN OUT
	DOWN SPOUT
	BUSH
	LARGE ROCK
	CONIFER TREE
	DECIDUOUS TREE
	TEST PIT/SOIL SAMPLE
	STUMP
	WETLANDS FLAG#
	BOLLARD
	GATE POST
	FLAG POLE
	MAIL BOX
	RAILROAD SIGN
	RAILROAD TRACK SWITCH
	RAILROAD PAVEMENT MARKING
	ROAD SIGN
	WATER BLOWOFF VALVE
	FIRE CONNECTION
	FIRE HYDRANT
	FIRE POST INDICATOR VALVE
	HOSE BIB
	IRRIGATION BOX
	WATER METER
	WATER MANHOLE
	PRESSURE RELIEF VALVE
	IRRIGATION SPRINKLER HEAD
	WATER VALVE
	WATER WELL
	HANDICAP PARKING SYMBOL
	SANITARY SEWER CLEAN OUT
	SANITARY SEWER FORCE MAIN VALVE
	SANITARY SEWER MANHOLE
	COMMUNICATIONS MANHOLE
	UTILITY DROP FROM POLE
	ELECTRICAL BOX ON CONCRETE
	ELECTRICAL CABINET
	ELECTRICAL HAND HOLE
	ELECTRICAL MANHOLE
	ELECTRICAL METER
	GUY ANCHOR
	GAS METER

LINE LEGEND

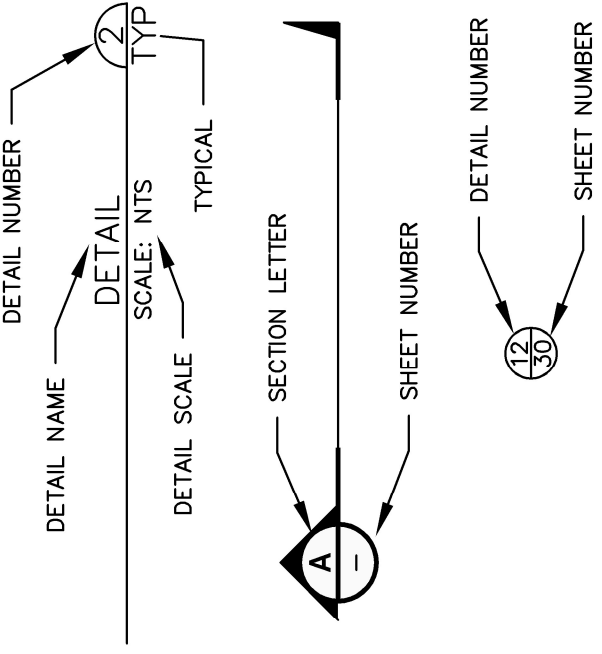
	MAJOR CONTOUR LINE
	MINOR CONTOUR LINE
	CULVERT
	STORM DRAIN LINE
	ORDINARY HIGH WATER LINE
	TREE LINE
	BUILDING LINE
	FENCE
	GUARD RAIL
	RIP RAP
	RETAINING WALL
	UNDERGROUND WATER LINE
	BARRIER/CURB LINE
	EDGE OF CONCRETE
	EDGE OF DIRT
	EDGE OF GRAVEL
	EDGE OF ASPHALT
	SHOULDER
	OVERHEAD COMMUNICATION LINE
	OVERHEAD ELECTRIC LINE
	OVERHEAD FIBER OPTIC LINE
	OVERHEAD PHONE LINE
	OVERHEAD TELEVISION LINE
	UNDERGROUND SANITARY SEWER LINE
	UNDERGROUND CABLE LINE
	UNDERGROUND POWER LINE
	UNDERGROUND FIBER OPTIC LINE
	UNDERGROUND GAS LINE
	UNDERGROUND COMMUNICATION LINE

ABBREVIATIONS

AC	ASPHALT CONCRETE	ECB	EROSION CONTROL	MEF	MAXIMUM EXTENT	SCH	SCHEDULE
AD	ALGEBRAIC DIFFERENCE	EG	BLANKET	MFR	FEASIBLE	SD	STORM DRAIN
ALUM	ALUMINUM	EL, ELEV	EXISTING GROUND	MH	MANUFACTURER	SDCB	STORM DRAIN CATCH BASIN
AP	ANGLE POINT	EOP	ELEVATION	MDPT	MANHOLE	SDMH	STORM DRAIN MANHOLE
APPROX	APPROXIMATE	EQ	EDGE OF PAVEMENT	MIN	MIDPOINT	SE	SOUTHEAST
ASPH	ASPHALT	EVCE	EQUAL	MISC	MINIMUM	SECT	SECTION
⊙	AT	EVCS	END VERTICAL CURVE	MJ	MISCELLANEOUS	SF	SQUARE FOOT
AVE	AVENUE	EX, EXIST	ELEVATION	MON	MECHANICAL JOINT	SHLDR	SHOULDER
BLDG	BUILDING	FG	END VERTICAL CURVE	N	MONUMENT	SHT	SHEET
BM	BENCH MARK	FH	STATION	NE	NORTH, NORTHING	SIM	SIMILAR
BR	BOTTOM OF RAMP	FIG	EXISTING GRADE	NO	NORTH, NORTHING	SL	SLOPE
BW	BOTTOM OF SIDEWALK	FM	FIRE HYDRANT	NST	NORTH	SPEC	SPECIFICATIONS
BOW	BOTTOM OF WALL	FOC	FIGURE	NW	NOT STEEPER THAN	SQ	SQUARE
BT	BURIED TELEPHONE	FTG	FLOW LINE, FLANGE	OC	NORTHWEST	SS	SANITARY SEWER
BVC	BEGIN VERTICAL CURVE	G	FORCE MAIN	OD	ON CENTER	SSFM	SANITARY SEWER FORCE MAIN
CB	CATCH BASIN	GA	FIBER OPTIC	OHWM	ORDINARY HIGH WATER	SSMH	SANITARY SEWER MANHOLE
CCP	CONCRETE CYLINDER PIPE	GAUGE	FACE OF CURB	OP	MARK	ST	STREET
CG	CLEARING AND GRUBBING	GALV	FACE OF CURB	P	OVERHEAD POWER	STA	STATION
CI	CAST IRON	GALVANIZED	FOOT, FEET	PAVE	PAVEMENT	STD	STANDARD
CIP	CAST IN PLACE	GV	FOOTING	PC	POINT OF CURVATURE	SW	SOUTHWEST
CL	CLASS	H, HORZ	GAS	PCC	PORTLAND CEMENT	S/W	SIDEWALK
CLR	CLEAR	HDPE	GAUGE	PE	CONCRETE	T, TEL	TELEPHONE
CLR	CLEAR	HMA	GALVANIZED	PI	POLYETHYLENE	TBC	TOP BACK OF CURB
CMP	CORRUGATED OR CULVERT METAL PIPE	IE	HORIZONTAL	PK	POINT OF INTERSECTION	TCE	TEMPORARY
CO	CLEANOUT	IPS	HIGH DENSITY POLYETHYLENE	PP	POLYETHYLENE	TOW	CONSTRUCTION EASEMENT
CONC	CONCRETE	JT	CONCRETE PIPE, CULVERT	PSI	POINT OF INTERSECTION	TR	TOP OF RAMP
CP	CONCRETE PIPE, CULVERT	KC	CORRUGATED POLYETHYLENE PIPE	PT	POLYETHYLENE	TYP	TYPICAL
CPEP	CORRUGATED POLYETHYLENE PIPE	KCPW	CRUSHED SURFACE TOP	REQ	POINT OF TANGENCY	U/G	UNDERGROUND
CSBC	CRUSHED SURFACE BASE	L	CONCRETE PIPE, CULVERT	ROW	POLYVINYL CHLORIDE PIPE	UNO	UNLESS OTHERWISE
CSTC	CRUSHED SURFACE TOP	LPS	DUCTILE IRON	RP	UNDERGROUND	UNO	UNLESS OTHERWISE
COURSE	COURSE	LT	DRAWING	RT	UNDERGROUND	UNO	UNLESS OTHERWISE
CULV	CULVERT	LF	DRIVEWAY	S	UNDERGROUND	UNO	UNLESS OTHERWISE
DI	DIAMETER	MAX	EAST		VERTICAL	VERT	VERTICAL
DIA	DRAWING	MB	EASEMENT		WATER	W	WITH
DWG	DRIVEWAY				W/	W/	WITHOUT
DWY	EAST				W/O	W/O	WASHINGTON STATE
E	EACH				WSDOT	WSDOT	DEPARTMENT OF
EA	EASEMENT						TRANSPORTATION
EASE	EASEMENT						

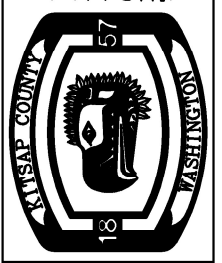
GENERAL NOTES:

1. THE CONTRACTOR SHALL CALL THE UTILITY LOCATION REQUEST CENTER PRIOR TO ANY EXCAVATION WORK. NO EXCAVATION SHALL BEGIN UNTIL ALL UNDERGROUND UTILITIES HAVE BEEN LOCATED.
2. ALL MATERIAL AND WORKMANSHIP SHALL BE IN ACCORDANCE WITH THE REQUIREMENTS OF THE WASHINGTON STATE DEPARTMENT OF TRANSPORTATION/APWA STANDARD SPECIFICATIONS FOR ROAD, BRIDGE, AND MUNICIPAL CONSTRUCTION, LATEST EDITION.
3. THE CONTRACTOR SHALL MEET THE CONDITIONS OF ALL PROJECT PERMITS AND LOCAL, STATE, AND FEDERAL LAWS AND REGULATIONS..
4. THE CONTRACTOR SHALL LIMIT THE AREA OF CLEARING TO ONLY THAT WHICH IS NECESSARY TO COMPLETE THE REQUIRED WORK. ALL DISTURBED AREAS SHALL BE GRADED TO MATCH THE EXISTING GROUND AND PROMPTLY SEEDED PER SP 8-01.3(2)B.
5. ALL EROSION AND SEDIMENTATION CONTROL MEASURES SHALL BE IN ACCORDANCE WITH BEST MANAGEMENT PRACTICES CONTAINED WITHIN THE KITSAP COUNTY STORMWATER MANAGEMENT MANUAL, LATEST EDITION.
6. ALL CATCH BASINS SHALL HAVE STANDARD FRAMES AND VANED GRATES.



REVISIONS		DESCRIPTION	
No.	BY	DATE	DESCRIPTION

SURVISED: RC
DESIGNED: DP
DRAWN: DP
CHECKED: JS
CRP No.: XX



KITSAP COUNTY
 DEPT. OF PUBLIC WORKS
 614 DIVISION STREET MS-26
 PORT ORCHARD, WA 98366
 TEL:(360) 337-5777 FAX:(360) 337-4887

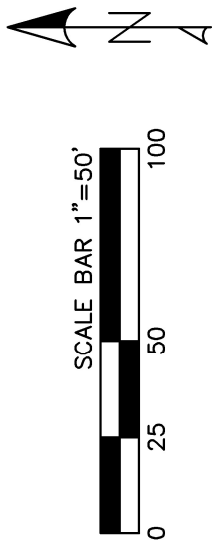
6428 SW GLENWOOD ROAD
STORMWATER RETROFIT
LEGEND, ABBREVIATIONS, & NOTES
 PORT ORCHARD, WA

DATE
11/3/22

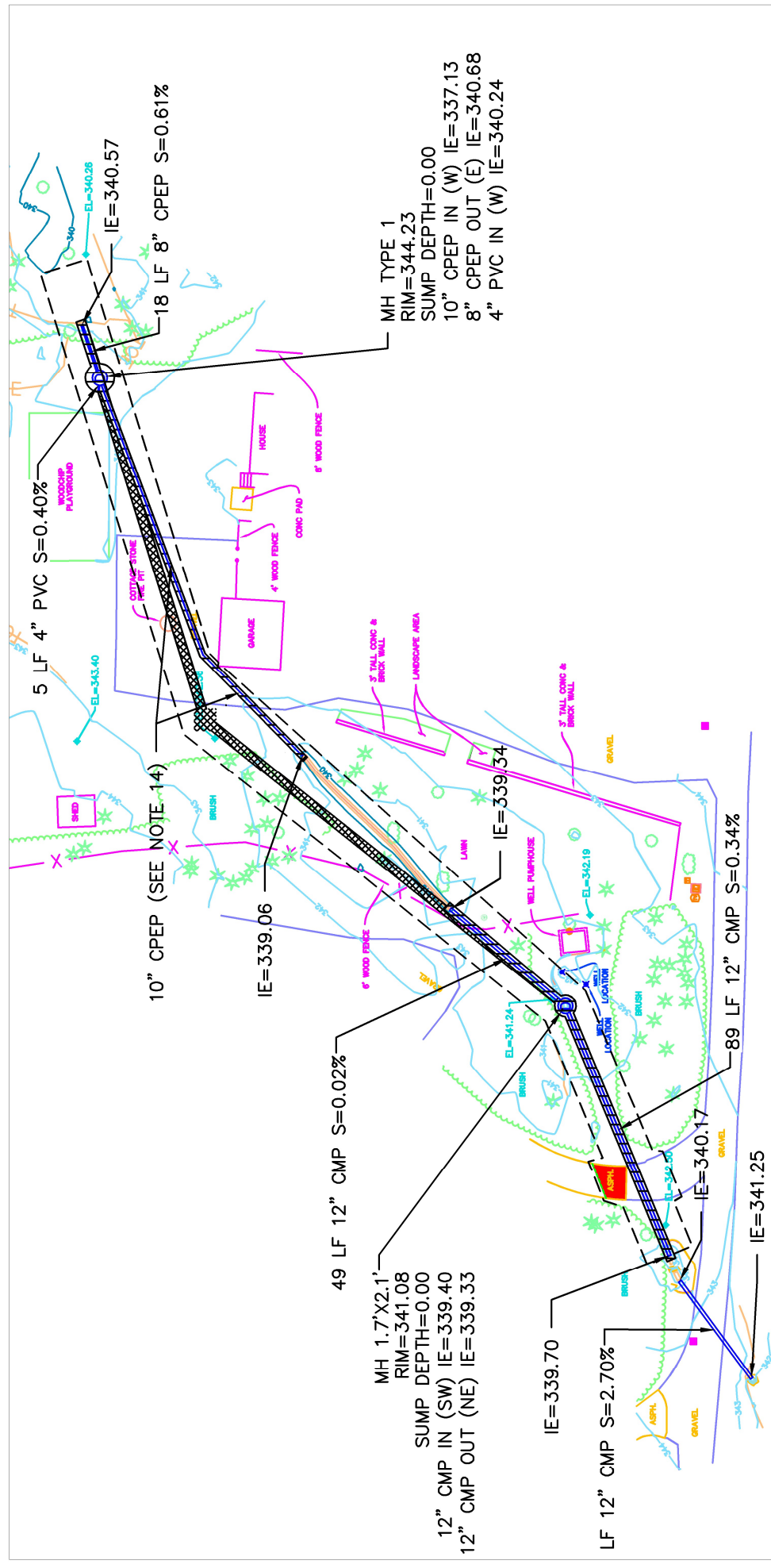
SHEET
2
OF
19

DEMOLITION & EROSION/SEDIMENTATION CONTROL NOTES

- SEE SHEET 10-12 FOR WSDOT EROSION CONTROL MEASURES.
- APPROVED TRAFFIC CONTROL SHALL BE ESTABLISHED FOR ALL CONSTRUCTION PROJECTS WHICH IMPACT ANY PUBLIC ROADWAY INCLUDING BUT NOT LIMITED TO LANE CLOSURES, DETOURS, SLOW MOVING VEHICLES AND ACTUAL CONSTRUCTION WITHIN THE RIGHT-OF-WAY.
- ALL STRUCTURE EXCAVATION, TRENCHING, AND SHORING SHALL BE PERFORMED IN STRICT COMPLIANCE WITH WASHINGTON ADMINISTRATIVE CODE 296-155 AS WELL AS ALL OTHER APPLICABLE LOCAL, CONTRACTING AGENCY, AND FEDERAL LAWS AND REGULATIONS. SEE WSDOT 2-09:3(3)B FOR TYPICAL SHORING EXAMPLES.
- APPROVAL OF THIS EROSION/SEDIMENTATION CONTROL (ESC) PLAN DOES NOT CONSTITUTE AN APPROVAL OF PERMANENT ROAD OR DRAINAGE DESIGN (E.G. SIZE AND LOCATION OF ROADS, PIPES, RESTRICTORS, CHANNELS, CHANNELS, RETENTION FACILITIES, UTILITIES).
- THE IMPLEMENTATION OF THIS ESC PLAN AND THE CONSTRUCTION, MAINTENANCE, REPLACEMENT, AND UPGRADING OF THESE ESC BMPs IS THE RESPONSIBILITY OF THE APPLICANT UNTIL ALL CONSTRUCTION IS COMPLETED AND APPROVED AND VEGETATION/LANDSCAPING IS ESTABLISHED.
- CLEARLY FLAG THE BOUNDARIES OF THE CLEARING LIMITS SHOWN ON THIS PLAN IN THE FIELD PRIOR TO CONSTRUCTION. DURING THE CONSTRUCTION PERIOD, NO DISTURBANCE BEYOND THE FLAGGED CLEARING LIMITS SHALL BE PERMITTED. THE FLAGGING SHALL BE MAINTAINED BY THE APPLICANT FOR THE DURATION OF CONSTRUCTION.
- CONSTRUCT THE ESC BMPs SHOWN ON THIS PLAN IN CONJUNCTION WITH ALL CLEARING AND GRADING ACTIVITIES, AND IN SUCH A MANNER AS TO ENSURE THAT SEDIMENT AND SEDIMENT LADEN WATER DO NOT ENTER THE DRAINAGE SYSTEM, ROADWAYS, OR VIOLATE APPLICABLE WATER STANDARDS.
- THE ESC BMPs SHOWN ON THIS PLAN ARE THE MINIMUM REQUIREMENTS FOR ANTICIPATED SITE CONDITIONS. DURING THE CONSTRUCTION PERIOD, UPGRADE THESE ESC BMPs AS NEEDED FOR UNEXPECTED STORM EVENTS AND TO ENSURE THAT SEDIMENT AND SEDIMENT-LADEN WATER DO NOT LEAVE THE SITE.
- THE APPLICANT SHALL INSPECT THE ESC BMPs DAILY AND MAINTAIN THEM AS NECESSARY TO ENSURE THEIR CONTINUED FUNCTIONING.
- INSPECT AND MAINTAIN THE ESC BMPs ON INACTIVE SITES A MINIMUM OF ONCE A MONTH OR WITHIN THE 48 HOURS FOLLOWING A MAJOR STORM EVENT (I.E. A 24-HOUR STORM EVENT WITH A 10-YEAR OR GREATER RECURRENCE INTERVAL).
- AT NO TIME SHALL THE SEDIMENT EXCEED 60% OF THE SUMP DEPTH OR HAVE LESS THAN 6 IN OF CLEARANCE FROM THE SEDIMENT SURFACE TO THE INVERT OF THE LOWEST PIPE. ALL CATCH BASINS AND CONVEYANCE LINES SHALL BE CLEANED PRIOR TO PAVING. THE CLEANING OPERATION SHALL NOT FLUSH SEDIMENT LADEN WATER INTO THE DOWNSTREAM SYSTEM.
- INSTALL STABILIZED CONSTRUCTION ENTRANCES AT THE BEGINNING OF CONSTRUCTION AND MAINTAINED FOR THE DURATION OF THE PROJECT. ADDITIONAL MEASURES MAY BE REQUIRED TO ENSURE THAT ALL PAVED AREAS ARE KEPT CLEAN FOR THE DURATION OF THE PROJECT.
- REMOVE AND DISPOSE OF EXISTING STORMWATER CONVEYANCE LINES AND STRUCTURES AND HMA PAVEMENT PER ACCEPTABLE KITSAP COUNTY STANDARDS.
- SCOPE EXISTING LINE FOR ANY UTILITY TIE-INS AND INFORM DESIGN ENGINEER PRIOR TO EXCAVATION FOR POTENTIAL DESIGN ADJUSTMENTS.



- DEMO LEGEND**
- REMOVE & DISPOSE OF EXISTING STORMWATER CONVEYANCE LINE AND STRUCTURES (SEE NOTE 13)
 - PROPOSED STORMWATER PIPE TRENCHING
 - SAWCUT EXISTING PAVEMENT FULL DEPTH LIMITS OF WORK AND TCE
 - HMA SURFACE REMOVAL



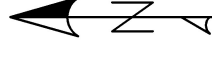
REVISIONS		SURVIVED: RC	
No.	BY	DATE	DESCRIPTION

DESIGNED: DP	DESIGNED: DP
DRAWN: DP	DRAWN: DP
CHECKED: JS	CHECKED: JS
CRP No.: XX	CRP No.: XX

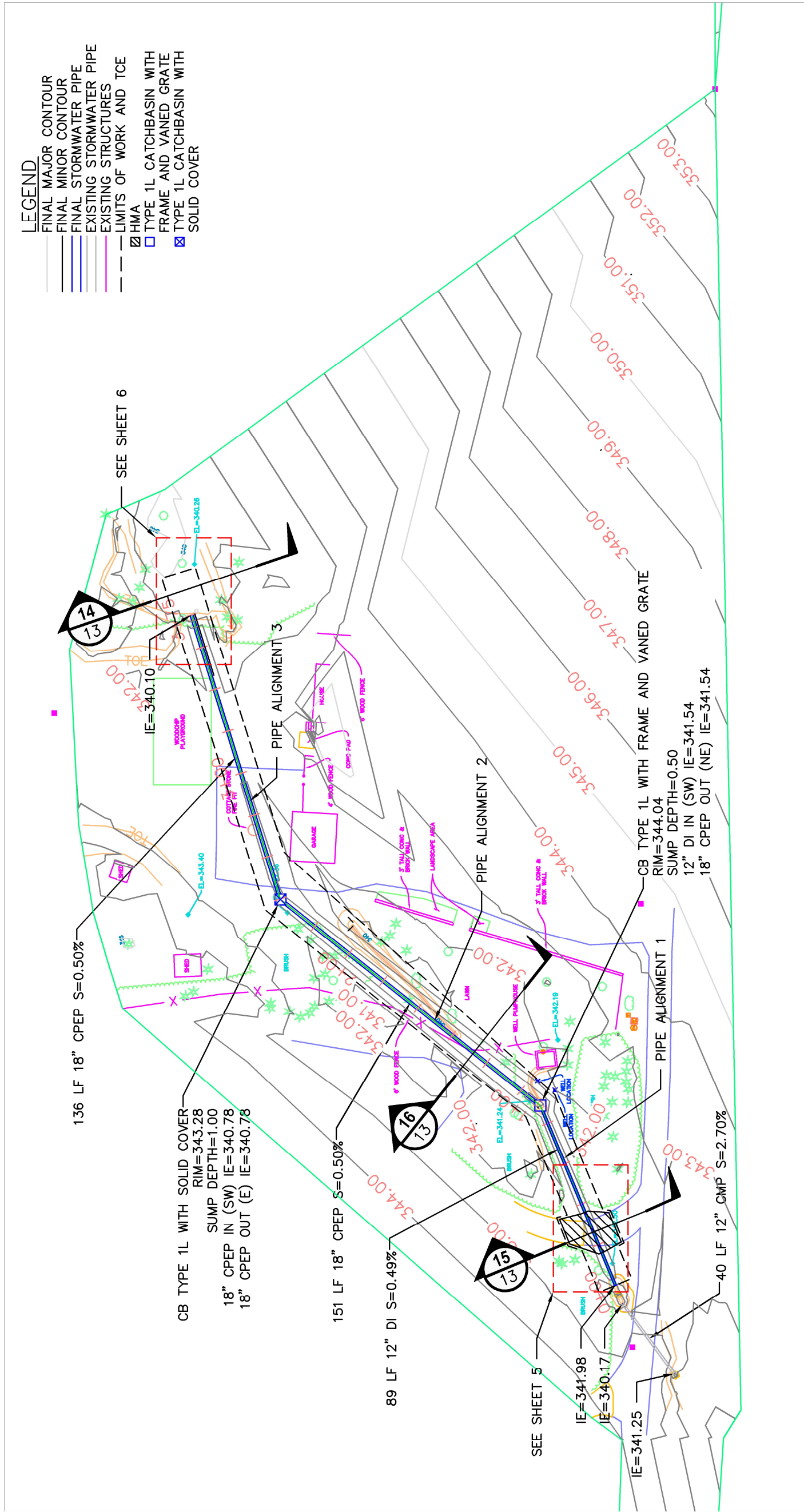
KITSAP COUNTY
DEPT. OF PUBLIC WORKS
614 DIVISION STREET MS-26
PORT ORCHARD, WA 98366
TEL:(360) 337-5777 FAX:(360) 337-4887

GENERAL NOTES

1. STORM DRAINAGE STRUCTURES CONFORM TO WSDOT STANDARD
2. LOCATION, DEPTH, AND SIZE OF EXISTING UTILITIES ARE APPROXIMATE. CONTRACTOR TO VERIFY WITH POTHOLING PRIOR TO CONSTRUCTION.
3. SEE SHEETS 10-12 FOR WSDOT EROSION CONTROL MEASURES
4. ENSURE UTILITY SETBACKS FROM BUILDING AND EXISTING UTILITY VERTICAL AND HORIZONTAL SETBACKS COMPLY WITH KITSAP COUNTY CODE.
5. PIPE BACKFILL CROSS-SECTIONAL PROFILES SHOWN ON SHEETS 14-17 AND BASED ON STATION OFFSETS 0+00 TO 3+75.47 SHOWN ON THIS SHEET.



- LEGEND**
- FINAL MAJOR CONTOUR
 - FINAL MINOR CONTOUR
 - FINAL STORMWATER PIPE
 - EXISTING STORMWATER PIPE
 - EXISTING STRUCTURES
 - LIMITS OF WORK AND TCE
 - ▨ HMA
 - TYPE 1L CATCHBASIN WITH FRAME AND VANED GRATE
 - ▣ TYPE 1L CATCHBASIN WITH SOLID COVER



REVISIONS	
No.	DESCRIPTION

SURVISED: RC
DESIGNED: DP
DRAWN: DP
CHECKED: JS
CRP No.: XX



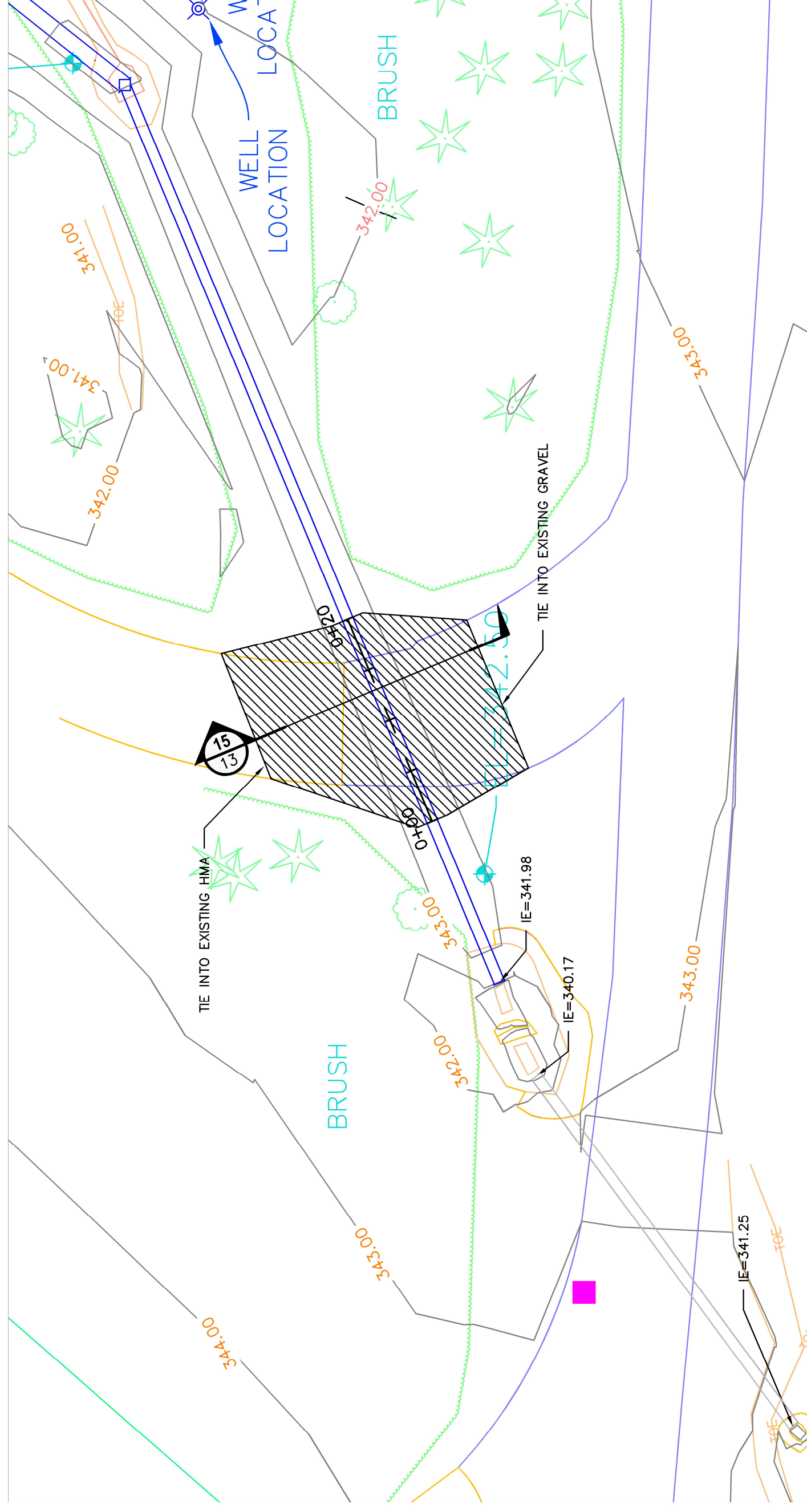
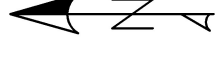
KITSAP COUNTY
 DEPT. OF PUBLIC WORKS
 614 DIVISION STREET MS-26
 PORT ORCHARD, WA 98366
 TEL:(360) 337-5777 FAX:(360) 337-4887

GENERAL NOTES

1. STORM DRAINAGE STRUCTURES CONFORM TO WSDOT STANDARD LOCATION, DEPTH, AND SIZE OF EXISTING UTILITIES ARE APPROXIMATE. CONTRACTOR TO VERIFY WITH POTHOLES PRIOR TO CONSTRUCTION.
2. SEE SHEETS 10-12 FOR WSDOT EROSION CONTROL MEASURES
3. HMA MAX SLOPE 10:1 ALL DIRECTIONS. PROPOSED HMA TO TIE INTO EXISTING HMA WITH SMOOTH TRANSITION.
4. SEE SHEET 18 FOR PROPOSED DRIVEWAY AND UTILITY PROFILE ALIGNMENTS BETWEEN STATION 0+00 AND 0+20.
5. CHECK FOR UTILITIES PRIOR TO WORK ON DRIVEWAY.

LEGEND

- FINAL MAJOR CONTOUR
- FINAL MINOR CONTOUR
- FINAL STORMWATER PIPE
- EXISTING STORMWATER PIPE
- EXISTING STRUCTURES
- LIMITS OF WORK AND TCE
- ▨ HMA
- TYPE 1L CATCHBASIN WITH FRAME AND VANED GRATE
- ▣ TYPE 1L CATCHBASIN WITH SOLID COVER



REVISIONS

No.	BY	DATE	DESCRIPTION

SURVISED: RC
DESIGNED: DP
DRAWN: DP
CHECKED: JS
CRP No.: XX



KITSAP COUNTY
 DEPT. OF PUBLIC WORKS
 614 DIVISION STREET MS-26
 PORT ORCHARD, WA 98366
 TEL:(860) 887-5777 FAX:(860) 887-4887

6428 SW GLENWOOD ROAD
STORMWATER RETROFIT
FINAL DESIGN
 PORT ORCHARD, WA

DATE
11/3/22

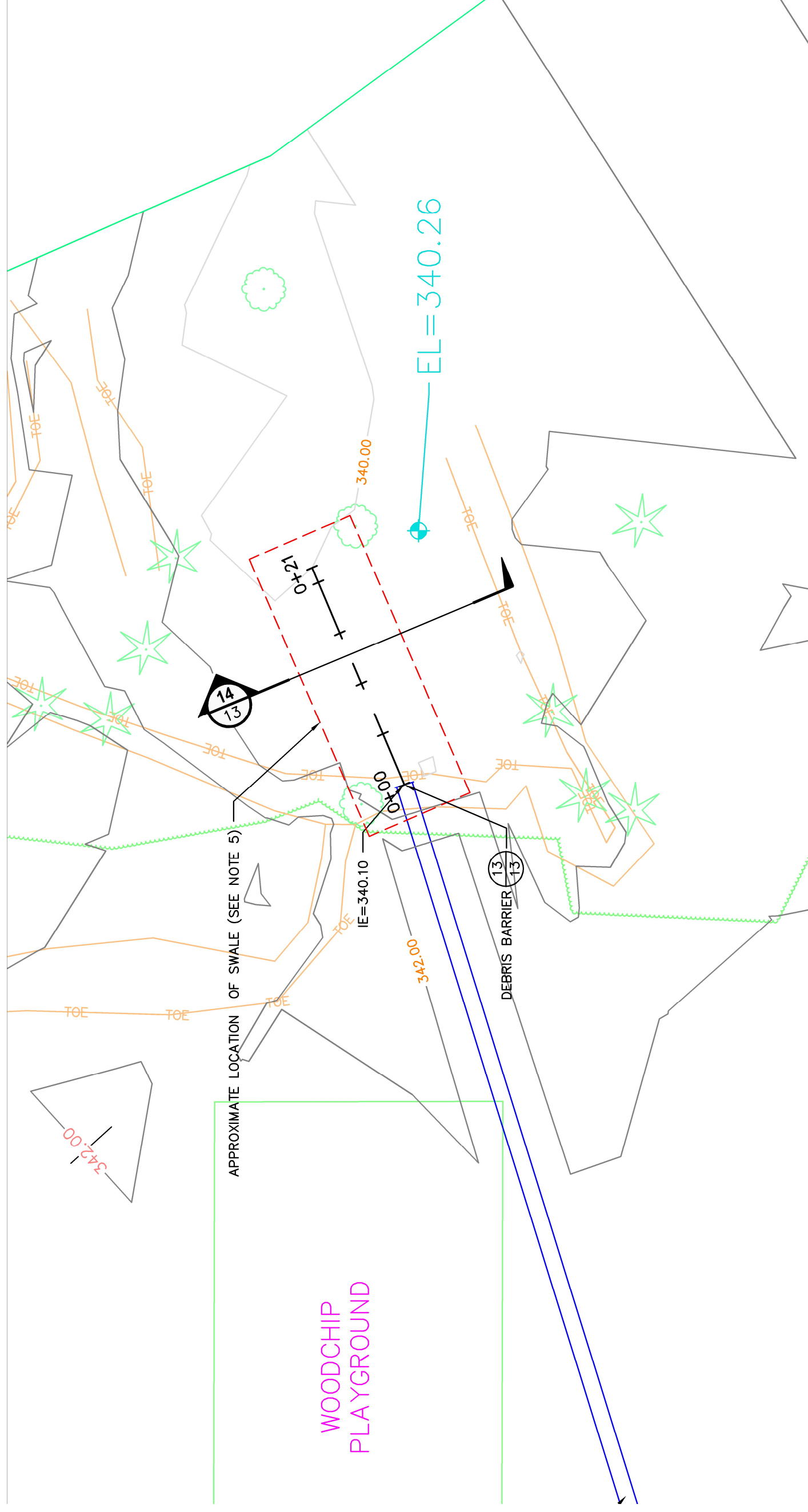
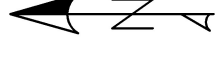
SHEET
OF
18

GENERAL NOTES

1. STORM DRAINAGE STRUCTURES CONFORM TO WSDOT STANDARD
2. LOCATION, DEPTH, AND SIZE OF EXISTING UTILITIES ARE APPROXIMATE. CONTRACTOR TO VERIFY WITH POTHOLING PRIOR TO CONSTRUCTION.
3. SEE SHEETS 10-12 FOR WSDOT EROSION CONTROL MEASURES
4. NO TREES MAY BE REMOVED WITH INSTALLATION OF DISPERSION TRENCH AND MINIMAL IMPACT TO EXISTING GROWTH.
5. PROPOSED LOCATION OF SWALE TO BE STAKED OUT AND REVIEWED WITH PROPERTY OWNER PRIOR TO INSTALLATION.
6. SEE SHEET 19 FOR PROPOSED TRENCH PROFILE ALIGNMENTS.

LEGEND

- FINAL MAJOR CONTOUR
- FINAL MINOR CONTOUR
- FINAL STORMWATER PIPE
- EXISTING STORMWATER PIPE
- EXISTING STRUCTURES
- LIMITS OF WORK AND TCE
- ▨ HMA
- ▣ TYPE 1L CATCHBASIN WITH FRAME AND VANED GRATE
- ▣ TYPE 1L CATCHBASIN WITH SOLID COVER



REVISIONS

No.	BY	DATE	DESCRIPTION

SURVEYED: RC
DESIGNED: DP
DRAWN: DP
CHECKED: JS
CRP No.: XX



KITSAP COUNTY
 DEPT. OF PUBLIC WORKS
 614 DIVISION STREET MS-26
 PORT ORCHARD, WA 98366
 TEL:(360) 337-5777 FAX:(360) 337-4887

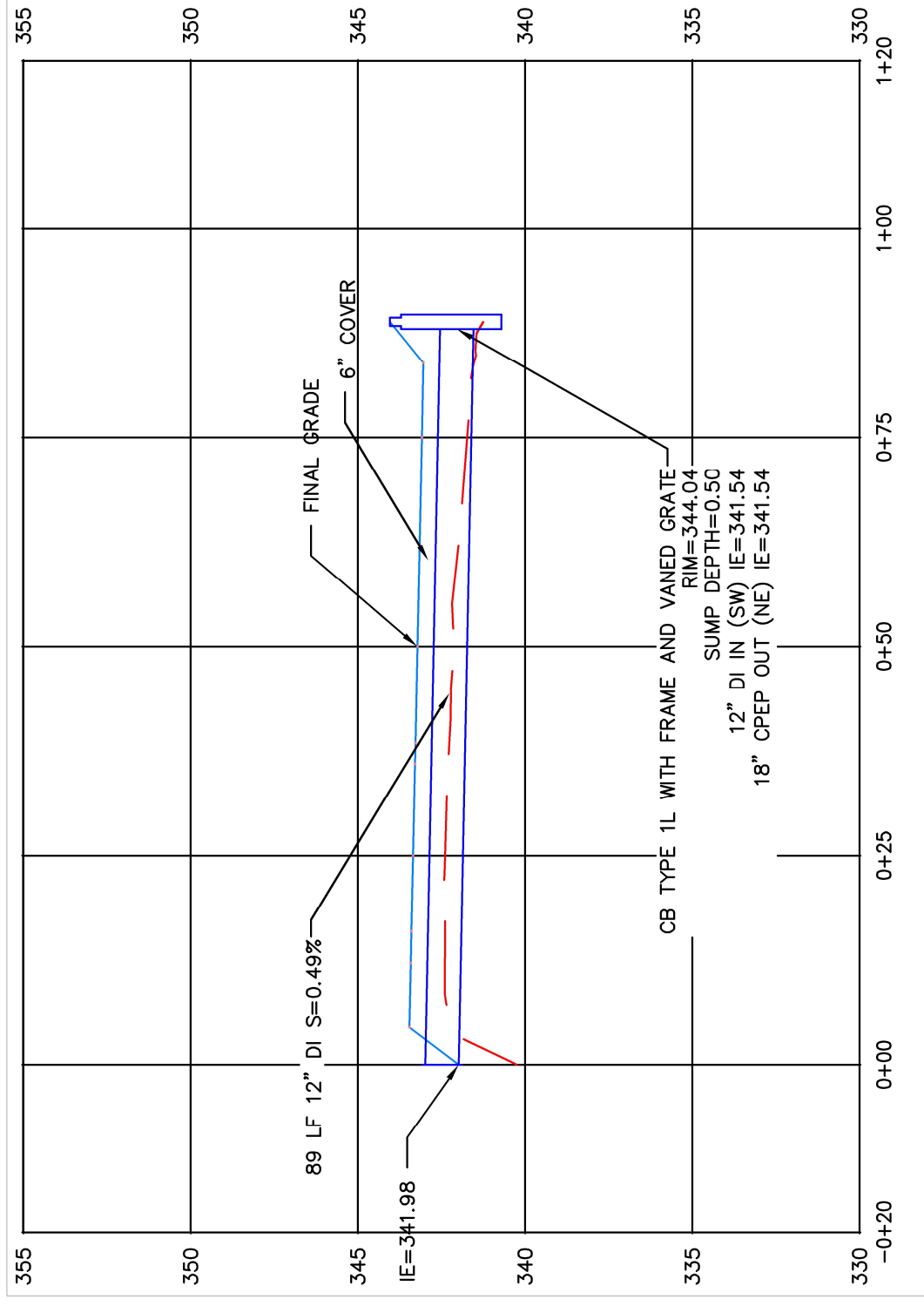
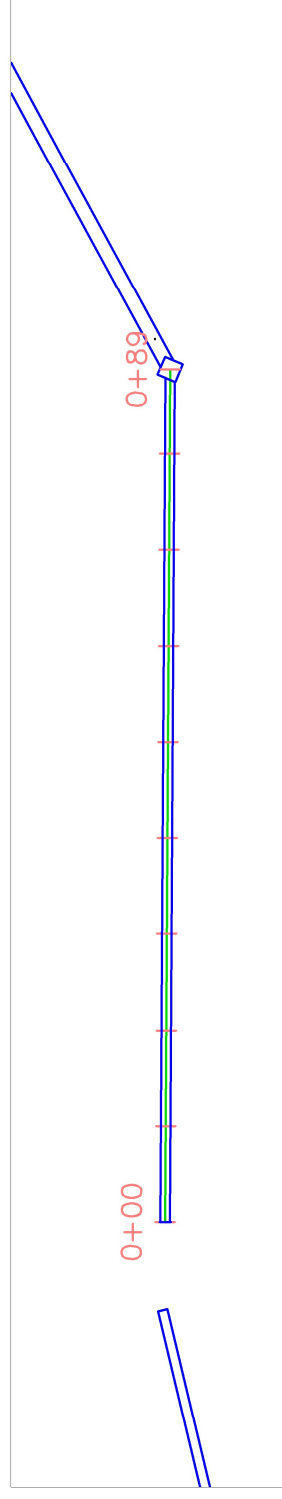
6428 SW GLENWOOD ROAD
STORMWATER RETROFIT
FINAL DESIGN
 PORT ORCHARD, WA

DATE
11/3/22

SHEET
OF
19



- LEGEND**
- FINAL GRADE
 - - - EXISTING GRADE
 - PROPOSED PIPE



PROFILE VIEW: ALIGNMENT 1

REVISIONS

No.	BY	DATE	DESCRIPTION

SURVEYED: RC
DESIGNED: DP
DRAWN: DP
CHECKED: JS
CRP No.: XX

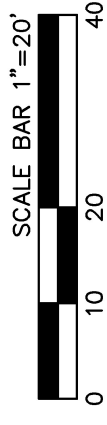


KITSAP COUNTY
DEPT. OF PUBLIC WORKS
614 DIVISION STREET MS-26
PORT ORCHARD, WA 98366
TEL:(360) 337-5777 FAX:(360) 337-4887

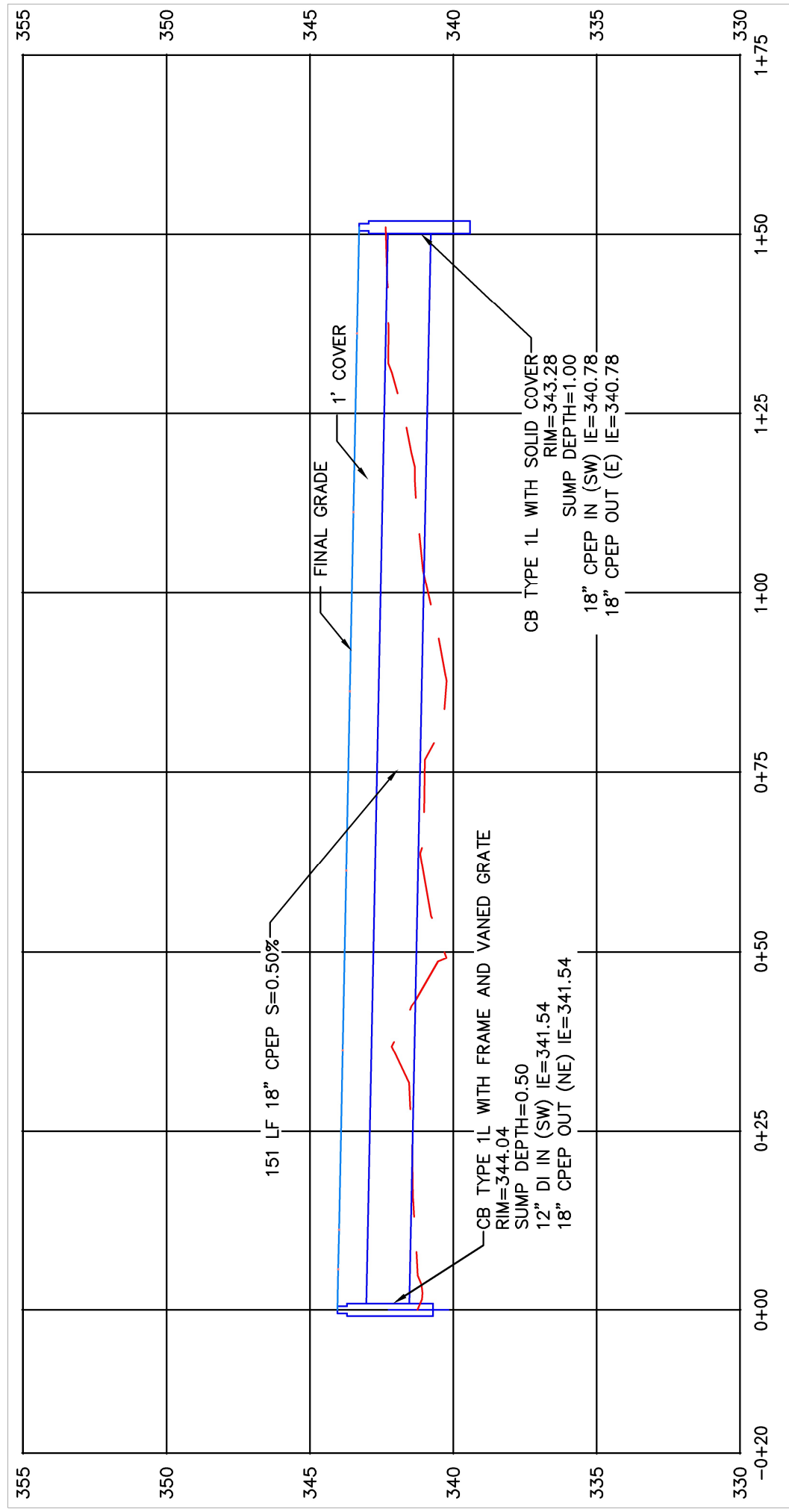
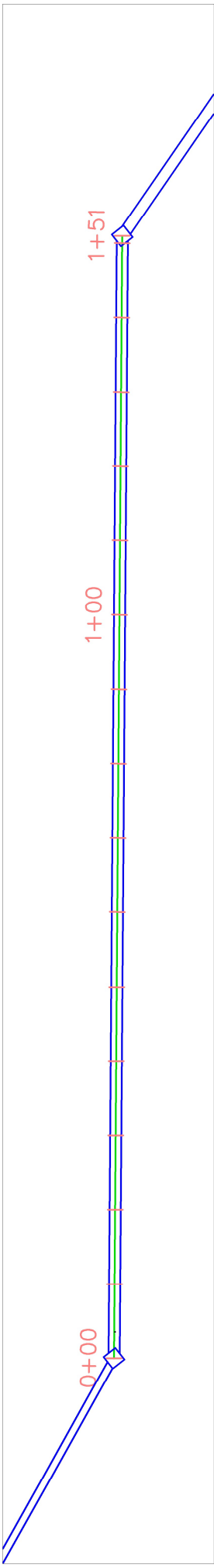
6428 SW GLENWOOD ROAD
STORMWATER RETROFIT
PLAN & PROFILE
PORT ORCHARD, WA

DATE
11/3/22

SHEET
7
OF
19



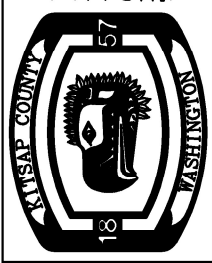
LEGEND
 FINAL GRADE
 EXISTING GRADE
 PROPOSED PIPE



PROFILE VIEW: ALIGNMENT 2

REVISIONS	
No.	DESCRIPTION

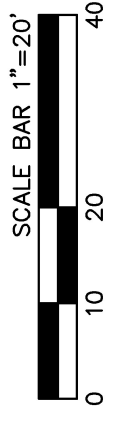
SURVISED: RC
DESIGNED: DP
DRAWN: DP
CHECKED: JS
CRP No.: XX



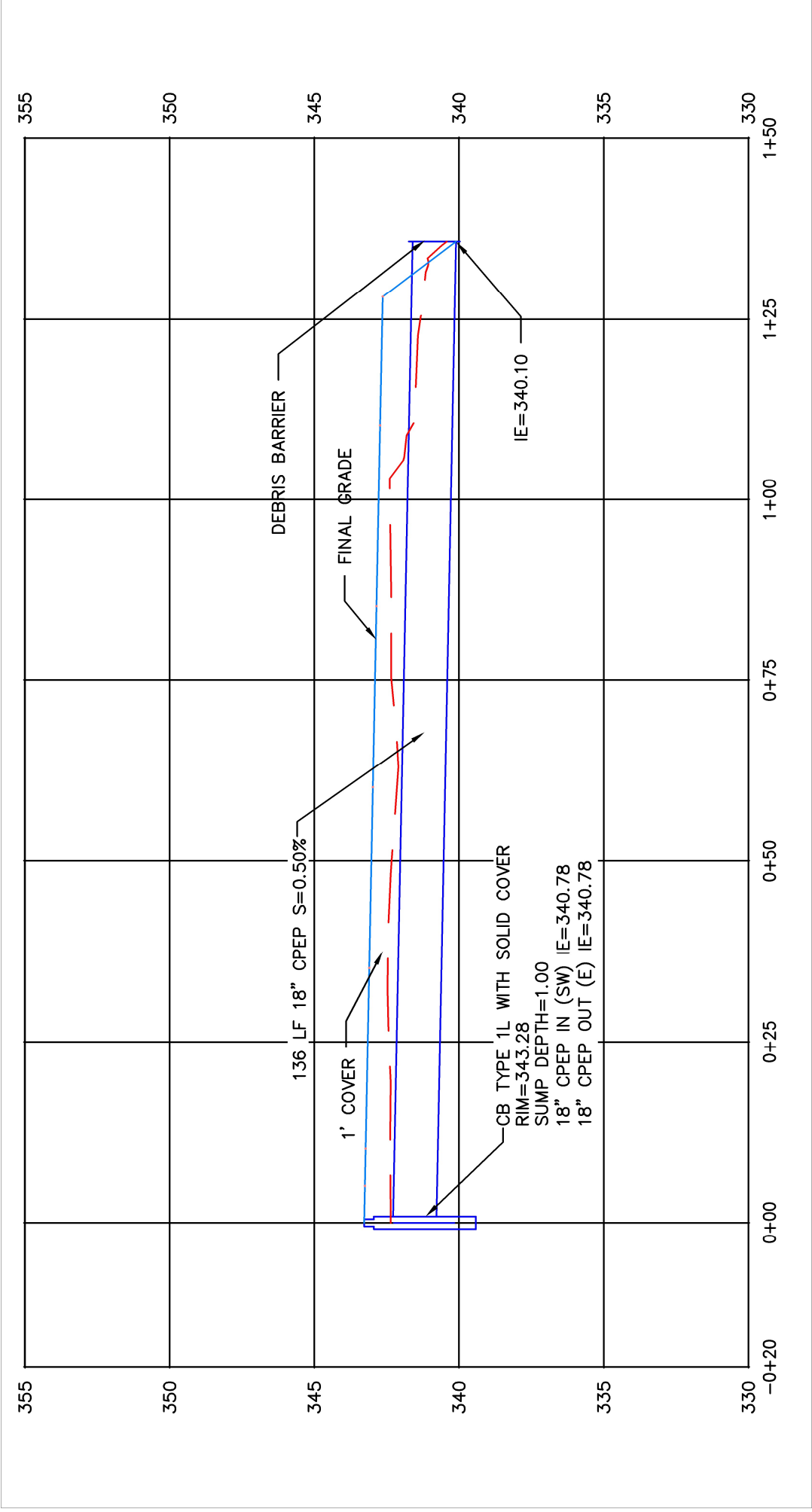
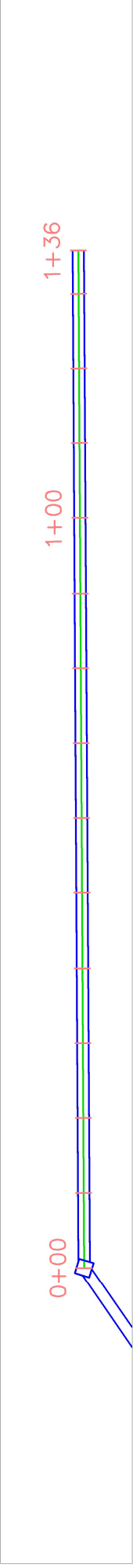
KITSAP COUNTY
 DEPT. OF PUBLIC WORKS
 614 DIVISION STREET MS-26
 PORT ORCHARD, WA 98366
 TEL:(360) 337-5777 FAX:(360) 337-4887

6428 SW GLENWOOD ROAD
STORMWATER RETROFIT
PLAN & PROFILE
 PORT ORCHARD, WA

DATE: 11/3/22
 SHEET 6 OF 19



LEGEND
 FINAL GRADE
 EXISTING GRADE
 PROPOSED PIPE



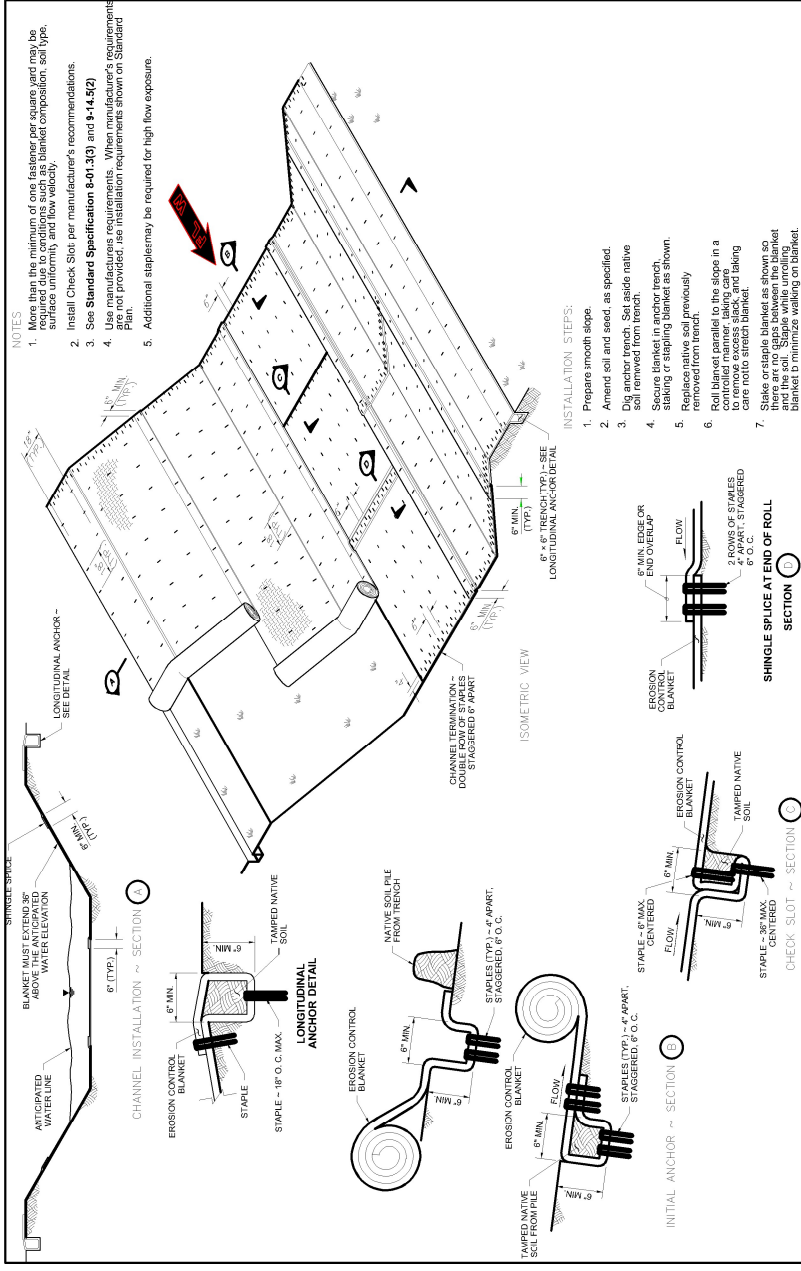
PROFILE VIEW: ALIGNMENT 3

No.	BY	DATE	DESCRIPTION

REVISIONS	SURVEYED: RC
	DESIGNED: DP
	DRAWN: DP
	CHECKED: JS
	CRP No.: XX



KITSAP COUNTY
 DEPT. OF PUBLIC WORKS
 614 DIVISION STREET MS-26
 PORT ORCHARD, WA 98366
 TEL:(860) 887-5777 FAX:(860) 887-4887



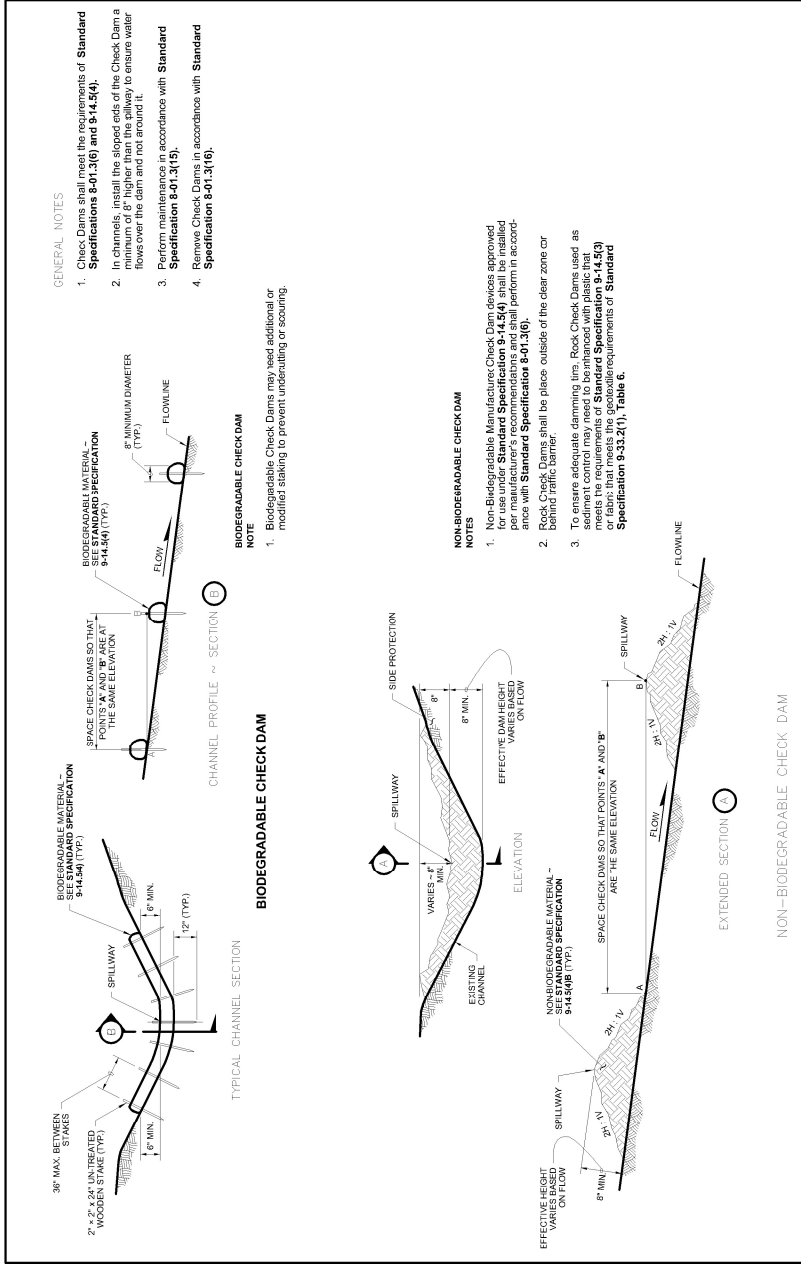
NOTES

1. Blanket must extend 36" above the anticipated water elevation.
2. Blanket must be installed in accordance with manufacturer's recommendations.
3. See Standard Specification 8-01.3(3) and 8-14.5(2).
4. Use manufacturer's requirements. When manufacturer's requirements are not provided, use installation requirements shown on Standard Plans.
5. Additional staking may be required for high flow exposure.

INSTALLATION STEPS:

1. Prepare smooth slope.
2. Amend soil and seed, as specified.
3. Dig anchor trench. Set aside native soil removed from trench.
4. Secure blanket in anchor trench, staking or stapling blanket as shown.
5. Remove soil and seed previously removed from trench.
6. Roll blanket parallel to the slope in a controlled manner, taking care to avoid stretching and wrinkling. Care not to stretch blanket.
7. Stake or staple blanket as shown so there are no gaps between the blanket and the soil.

BIODEGRADABLE EROSION CONTROL BLANKET PLACEMENT FOR DITCHES
SCALE: NTS
1 TYP



GENERAL NOTES

1. Check Dams shall meet the requirements of Standard Specifications 8-01.3(6) and 8-14.5(4).
2. In channels, install the sloped ends of the Check Dam a minimum of 12" from the dam and 100' around it.
3. Perform maintenance in accordance with Standard Specification 8-01.3(6).
4. Remove Check Dams in accordance with Standard Specification 8-01.3(6).

BIODEGRADABLE CHECK DAM

NOTE

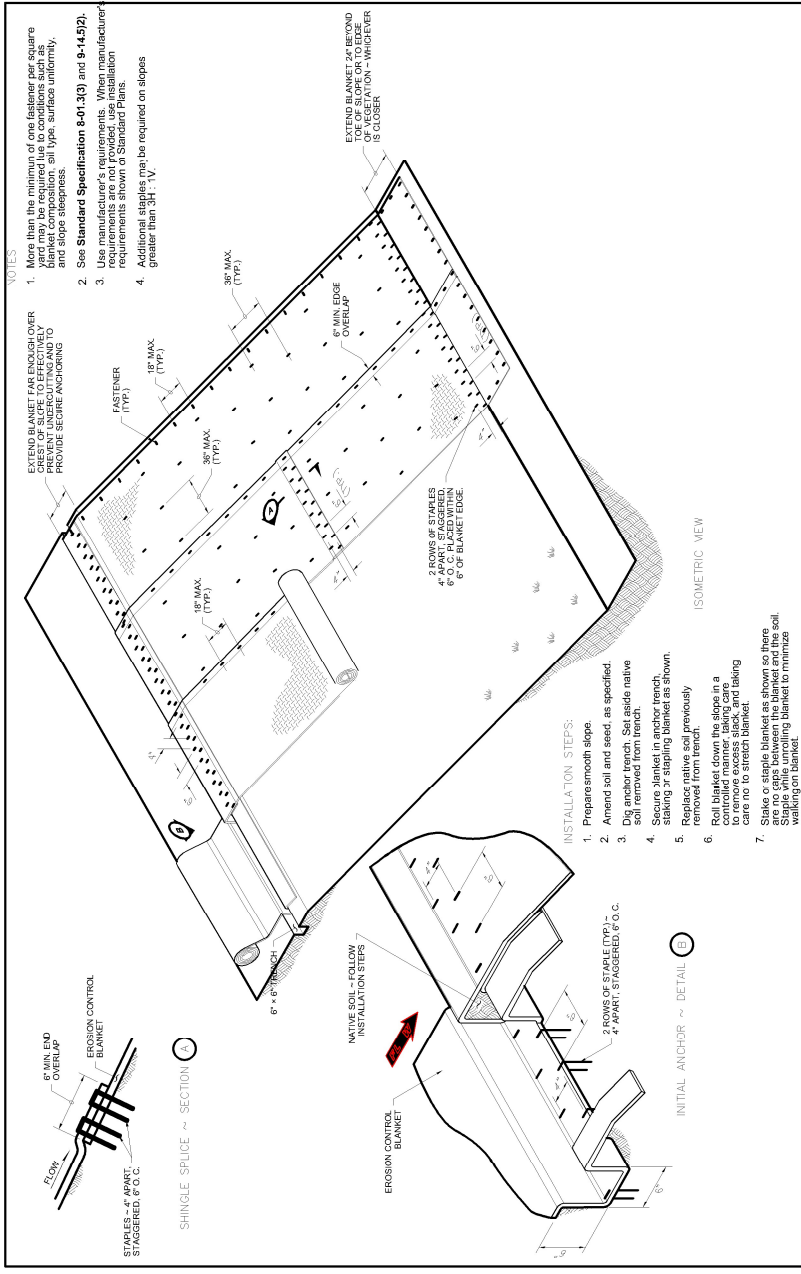
1. Biodegradable Check Dams may need additional or modified staking to prevent undercutting or scouring.

NON-BIODEGRADABLE CHECK DAM

NOTES

1. Non-Biodegradable Manufacture: Check Dam devices approved for use under Standard Specification 8-14.5(4) shall be installed in accordance with Standard Specification 8-01.3(6).
2. Rock Check Dams shall be placed outside of the clear zone or behind traffic barrier.
3. To ensure adequate damming time, Rock Check Dams used as sediment control may need to be anchored with passive that meets the requirements of Standard Specification 8-14.5(3) and 8-14.5(4).

CHECK DAMS
SCALE: NTS
3 TYP



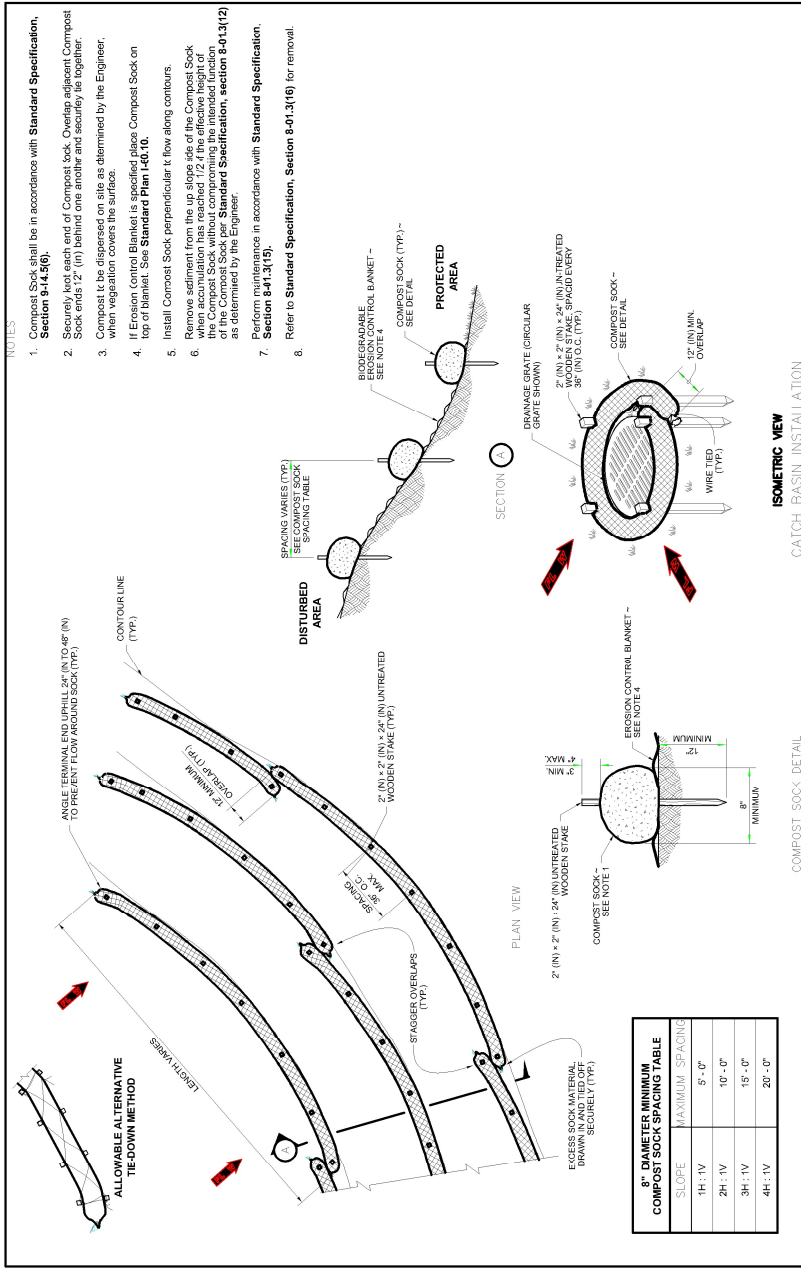
NOTES

1. Match the width of the blanket to the width of the slope. Blanket composition, all type, surface uniformity, and slope exposure.
2. See Standard Specification 8-01.3(3) and 8-14.5(2).
3. Use manufacturer's requirements. When manufacturer's requirements are not provided, use installation requirements shown on Standard Plans.
4. Additional staking may be required on slopes greater than 3H:1 V.

INSTALLATION STEPS:

1. Prepare smooth slope.
2. Amend soil and seed, as specified.
3. Dig anchor trench. Set aside native soil removed from trench.
4. Secure blanket in anchor trench, staking or stapling blanket as shown.
5. Remove soil and seed previously removed from trench.
6. Roll blanket down the slope in a controlled manner, taking care to avoid stretching and wrinkling. Care not to stretch blanket.
7. Stake or staple blanket as shown so there are no gaps between the blanket and the soil.

BIODEGRADABLE EROSION CONTROL BLANKET PLACEMENT ON SLOPES
SCALE: NTS
2 TYP



NOTES

1. Compost Sock shall be in accordance with Standard Specification, Section 8-14.3(6).
2. Securely knot each end of Compost Sock. Overlap adjacent Compost Sock ends 12" (in) behind one another and securely tie together.
3. Compost Sock shall be dispersed on site as determined by the Engineer, when vegetation covers the surface.
4. If Erosion Control Blanket is specified place Compost Sock on top of blanket. See Standard Plan 148.10.
5. Install Compost Sock perpendicular to flow along contours.
6. Remove sediment from the up slope side of the Compost Sock when accumulation has reached 1/2 of the effective height of the Compost Sock. When the effective height of the Compost Sock is reached, remove the sediment from the up slope side of the Compost Sock as determined by the Engineer.
7. Perform maintenance in accordance with Standard Specification, Section 8-14.3(15).
8. Refer to Standard Specification, Section 8-01.3(16) for removal.

**6\"/>

SLOPE	MINIMUM SPACING
1H:1V	9'-0"
2H:1V	10'-0"
3H:1V	15'-0"
4H:1V	20'-0"

COMPOST SOCK
SCALE: NTS
4 TYP

No.	BY	DATE	DESCRIPTION

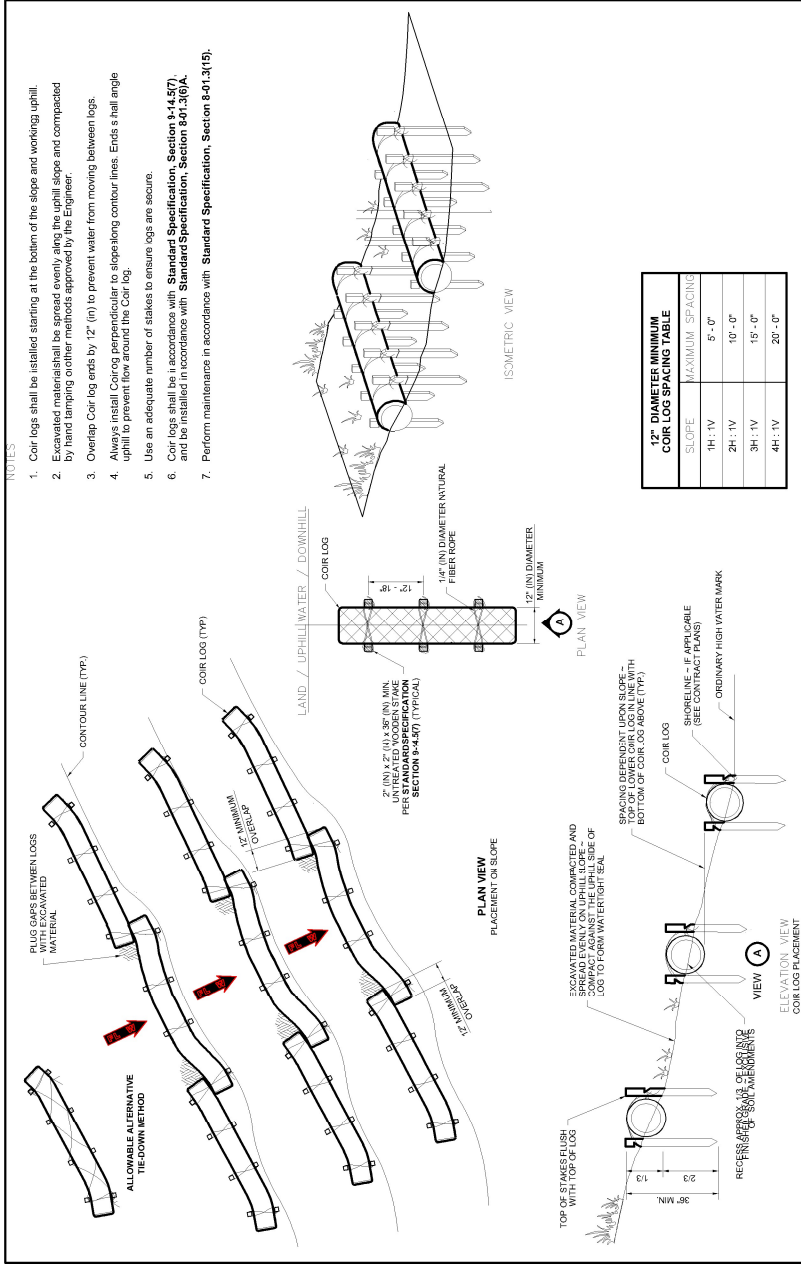
REVISIONS	DATE	DESCRIPTION

KITSAP COUNTY
DEPT. OF PUBLIC WORKS
 614 DIVISION STREET MS-26
 PORT ORCHARD, WA 98366
 TEL:(360) 387-5777 FAX:(360) 387-4887

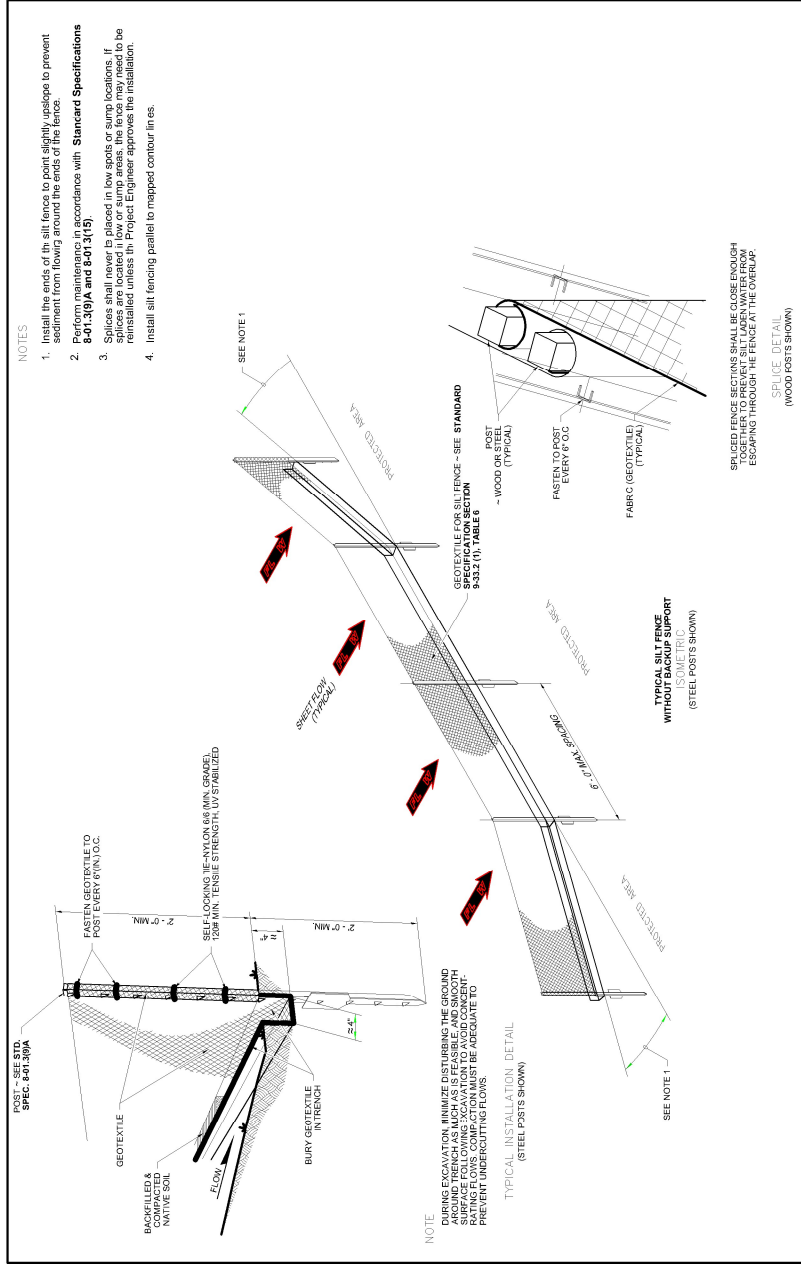
6428 SW GLENWOOD ROAD
STORMWATER RETROFIT
DETAILS
 PORT ORCHARD, WA

DATE
 11/3/22

SHEET
 10
 OF
 19

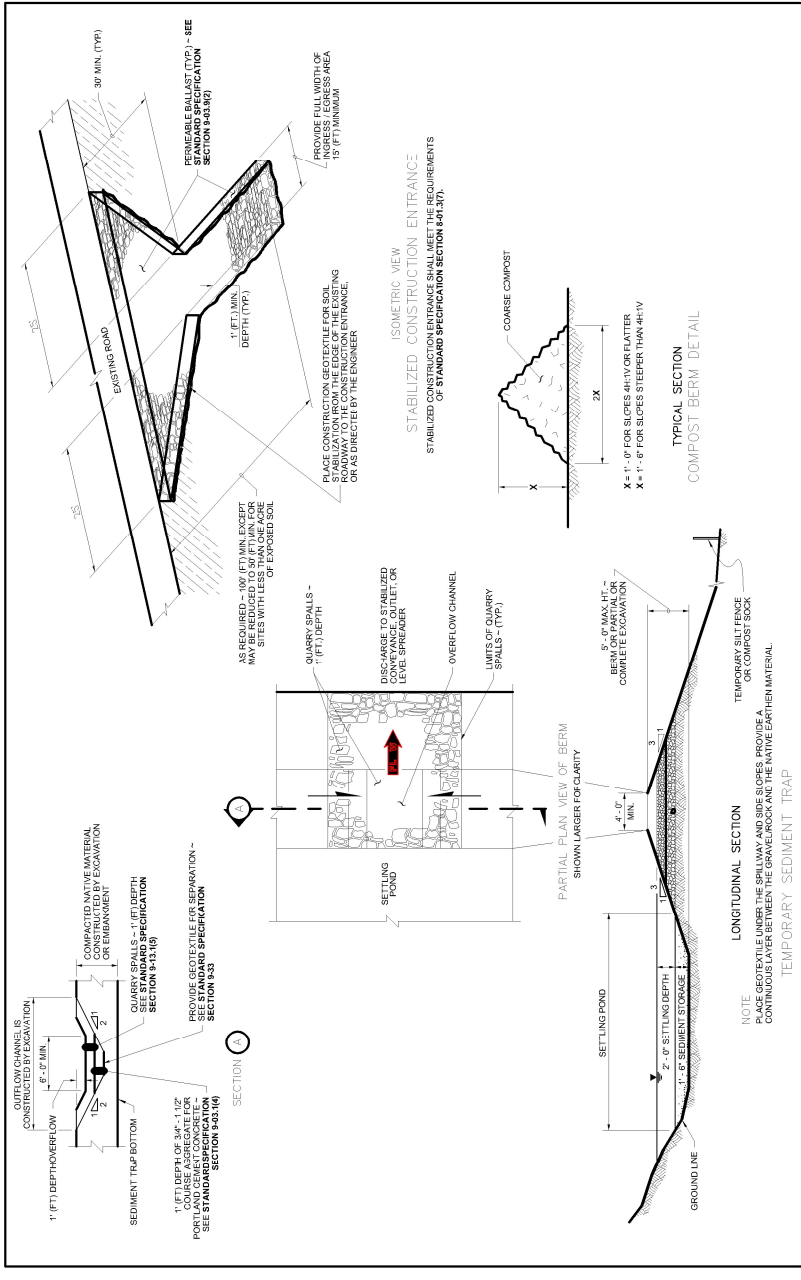


5 EROSION CONTROL DETAILS COIR LOG PLACEMENT
SCALE: NTS

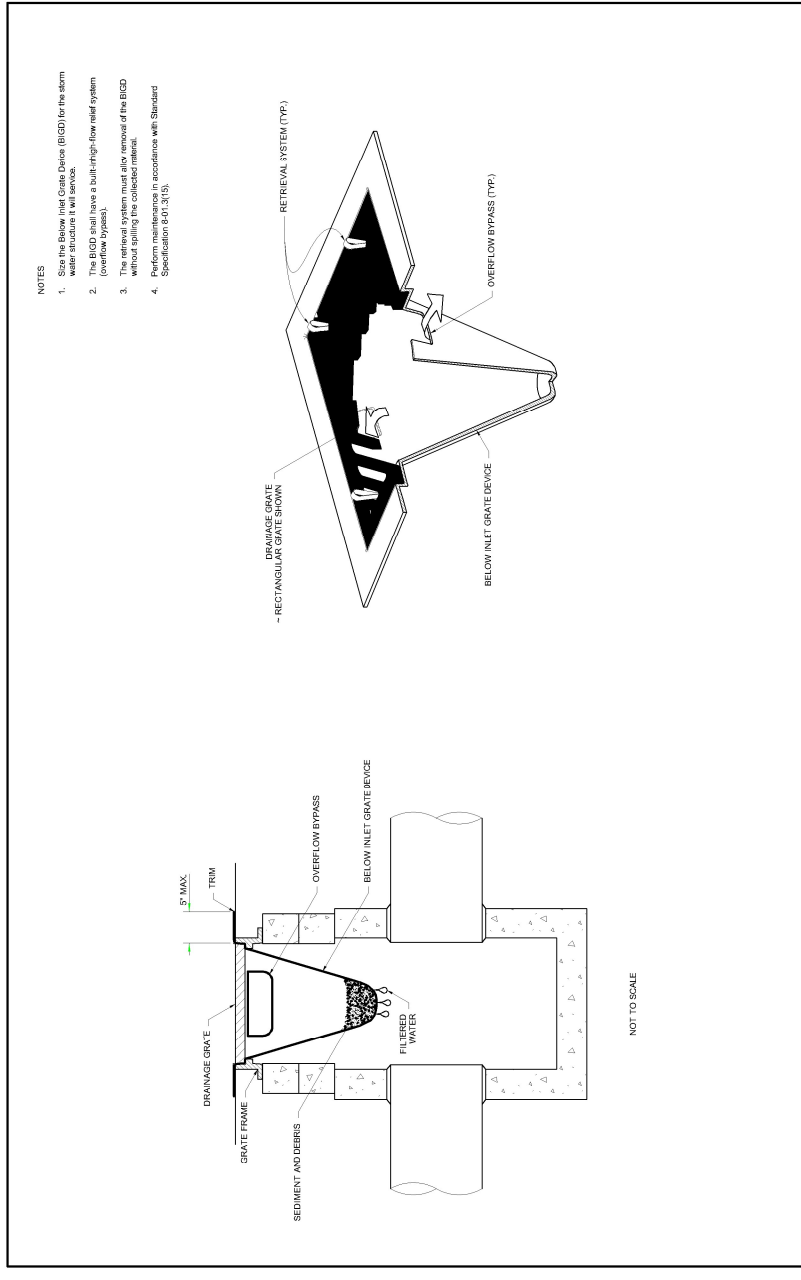


7 SILT FENCE
SCALE: NTS

No.	BY	DATE	DESCRIPTION	SURVISED: RC	DESIGNED: DP	DRAWN: DP	CHECKED: JS	CRP No.: XX



6 MISCELLANEOUS EROSION CONTROL DETAILS
SCALE: NTS

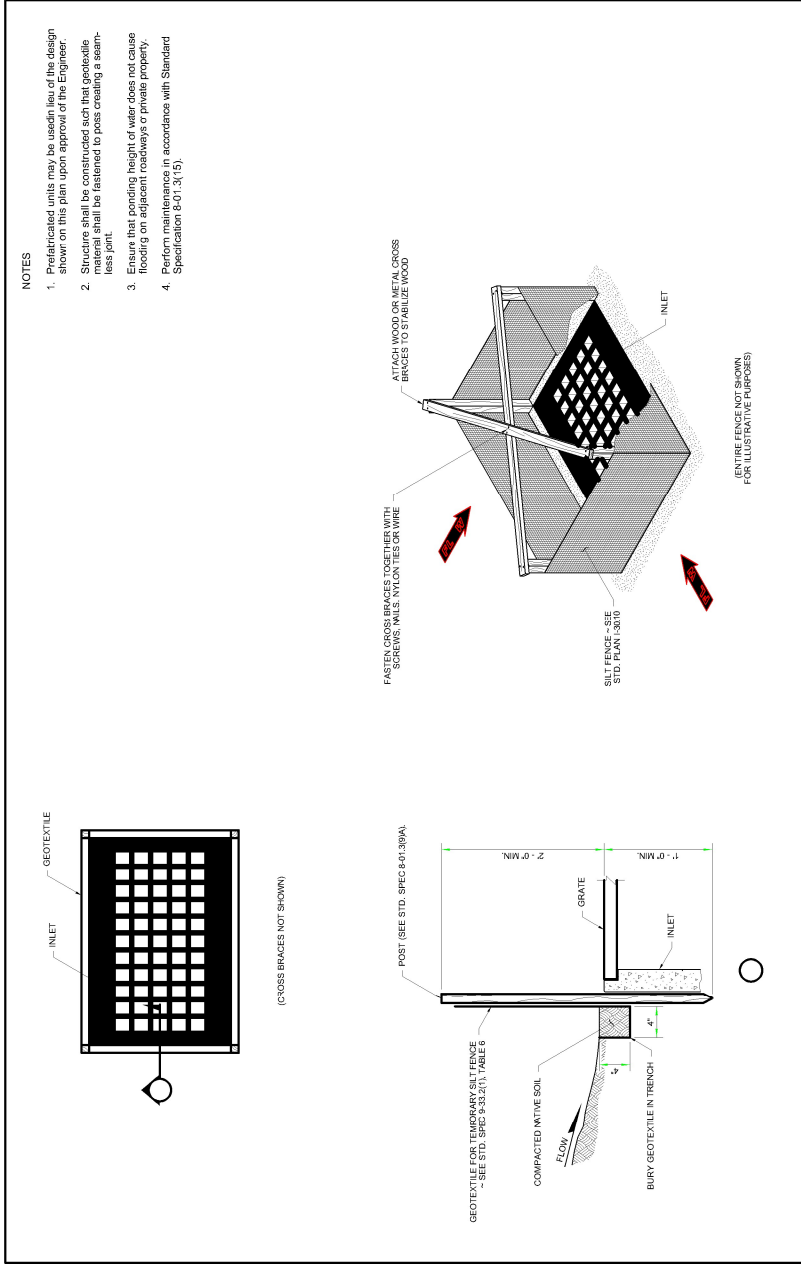


8 STORM DRAIN INLET PROJECTION
SCALE: NTS

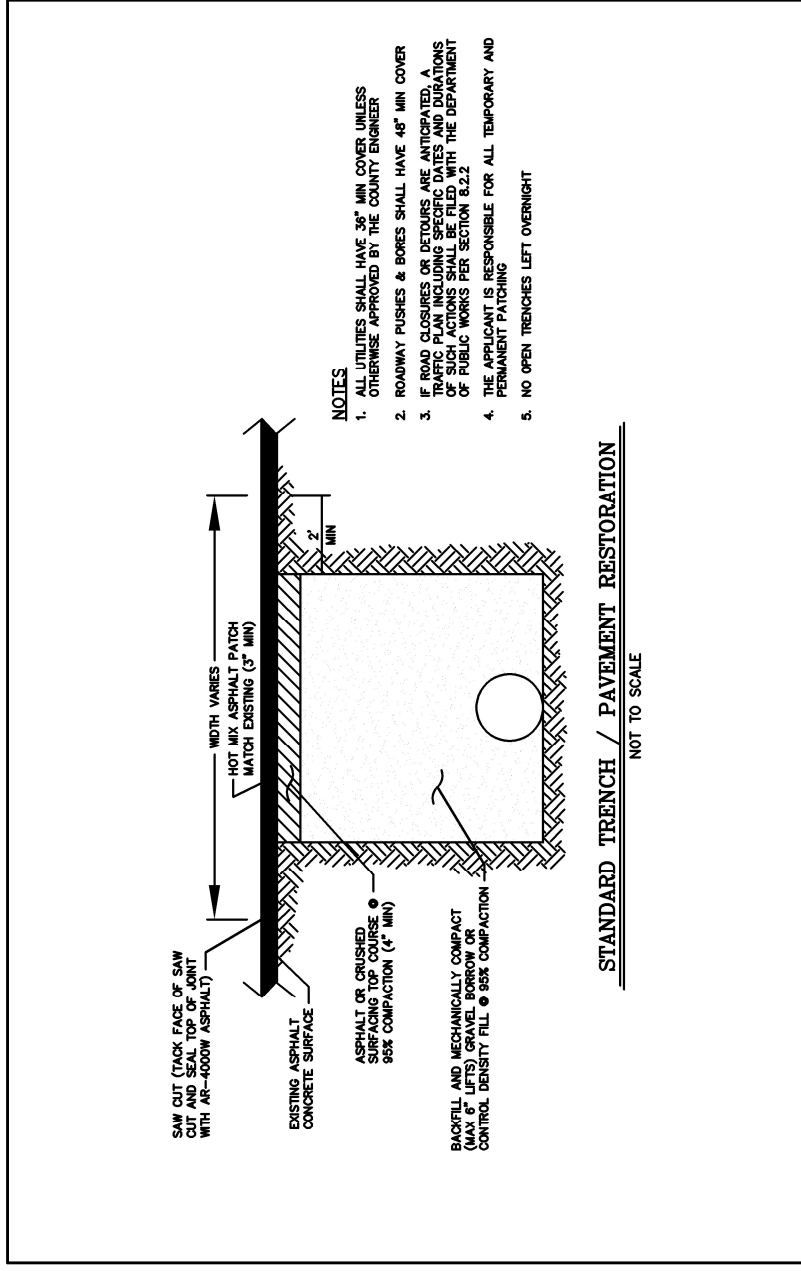
KITSAP COUNTY
DEPT. OF PUBLIC WORKS
614 DIVISION STREET MS-26
PORT ORCHARD, WA 98366
TEL: (360) 887-5777 FAX: (360) 887-4887

6428 SW GLENWOOD ROAD
STORMWATER RETROFIT
DETAILS
PORT ORCHARD, WA

DATE: 11/3/22
SHEET: 18 OF 19

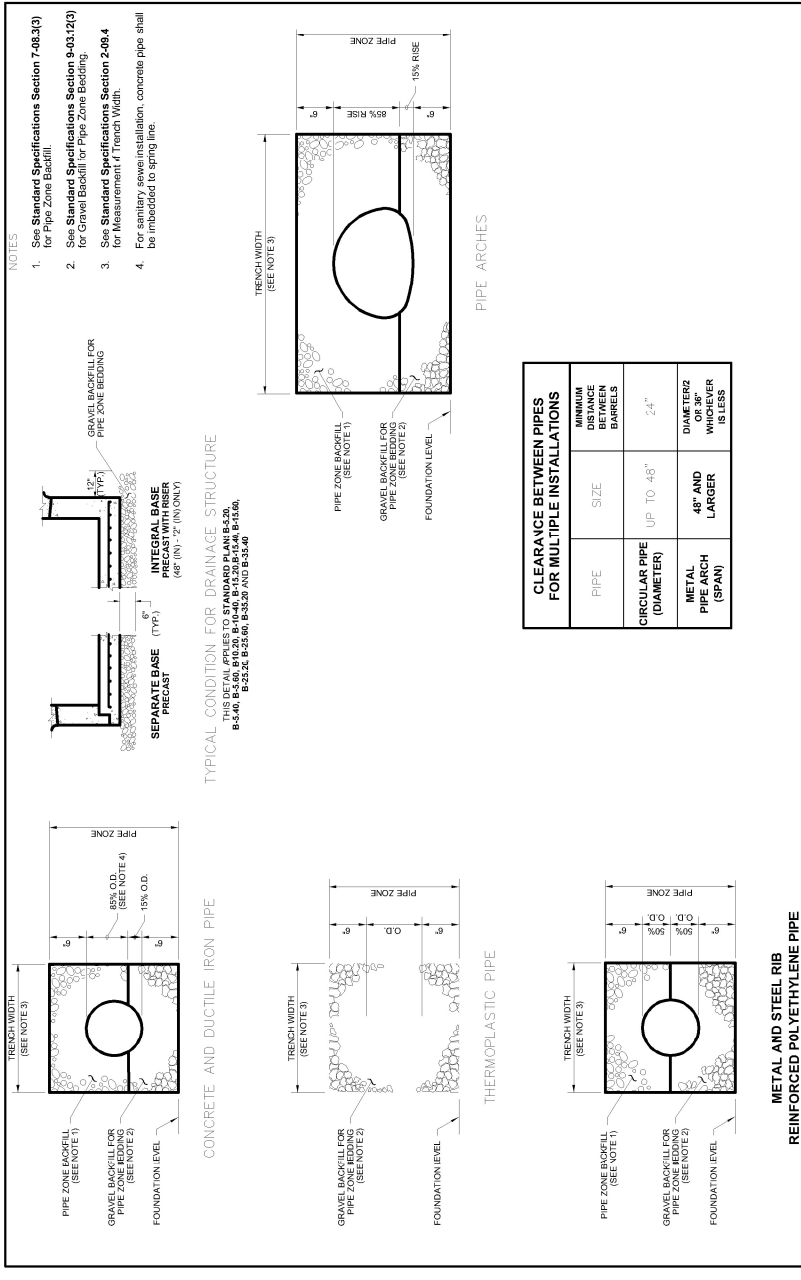


9 **TEMPORARY SILT FENCE FOR INLET PROTECTION IN UNPAVED AREAS**
SCALE: NTS

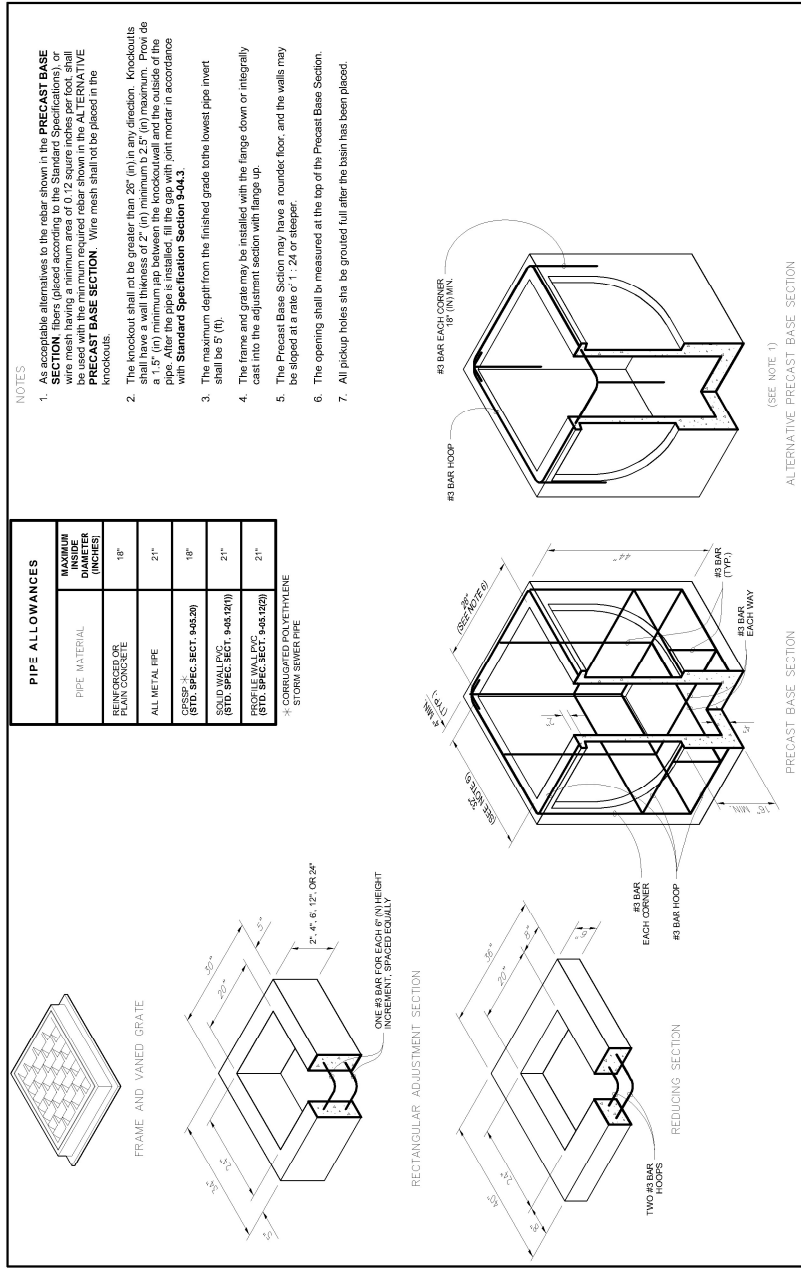


11 **STANDARD TRENCH AND PAVEMENT RESTORATION**
SCALE: NTS

No.	BY	DATE	DESCRIPTION	SURVIVED: RC	DESIGNED: DP	DRAWN: DP	CHECKED: JS	CRP No.: XX



10 **PIPE ZONE BEDDING AND BACKFILL**
SCALE: NTS

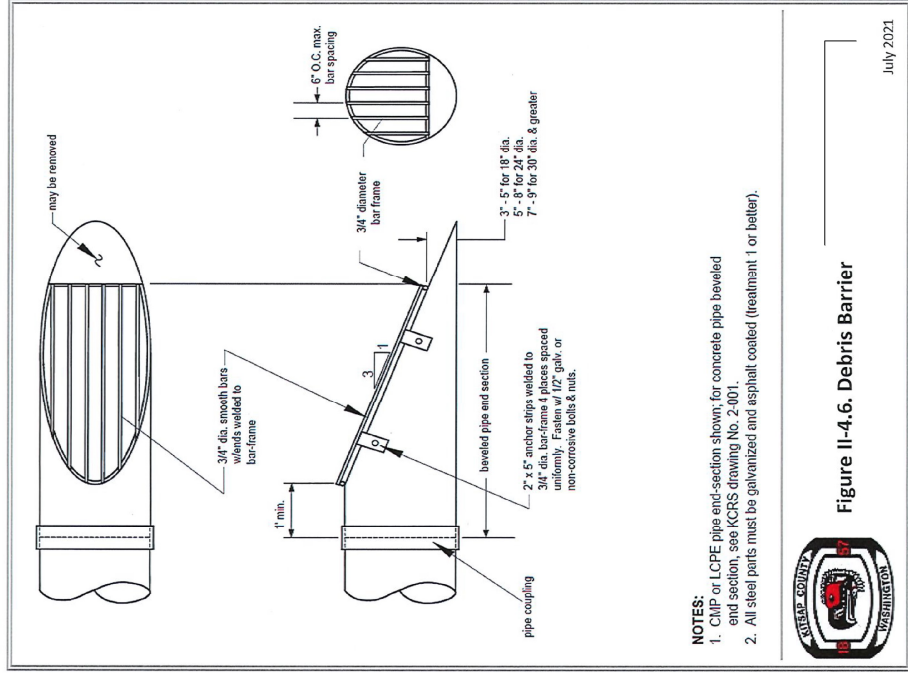


12 **CB TYPE 1L**
SCALE: NTS

KITSAP COUNTY
DEPT. OF PUBLIC WORKS
614 DIVISION STREET MS-26
PORT ORCHARD, WA 98366
TEL: (360) 387-5777 FAX: (360) 387-4887

6428 SW GLENWOOD ROAD
STORMWATER RETROFIT
DETAILS
PORT ORCHARD, WA

DATE 11/3/22
SHEET 12 OF 19



NOTES:

1. CMP or LCP pipe end-section shown; for concrete pipe beveled end section, see KCRS drawing No. 2-001.
2. All steel parts must be galvanized and asphalt coated (treatment 1 or better).

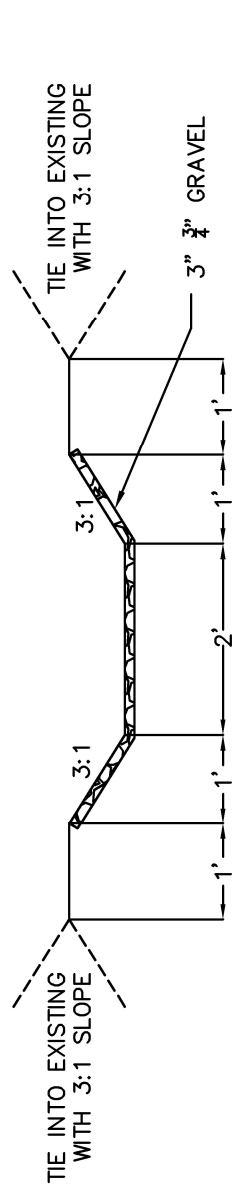


Figure II-4.6. Debris Barrier

July 2021

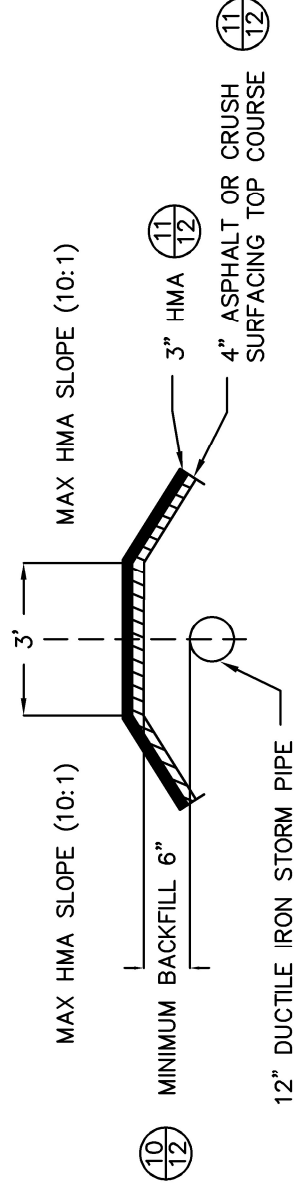
DEBRIS BARRIER
SCALE: NTS

13
TYP



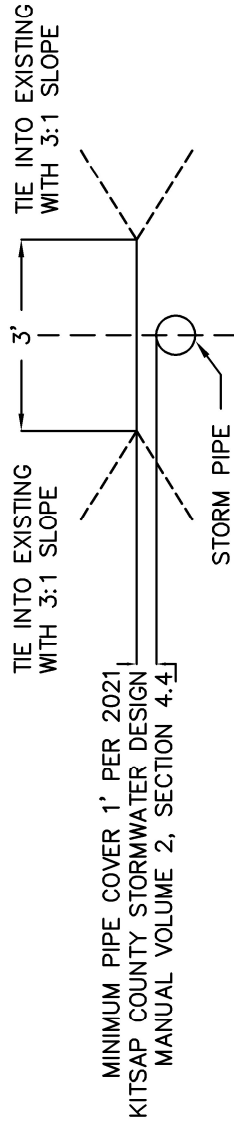
SWALE
SCALE: NTS

14
TYP



DRIVEWAY
SCALE: NTS

15
TYP



BERM
SCALE: NTS

16
TYP

MINIMUM PIPE COVER 1' PER 2021
KITSAP COUNTY STORMWATER DESIGN
MANUAL VOLUME 2, SECTION 4.4

REVISIONS

DESCRIPTION

SURVISED: RC
DESIGNED: DP
DRAWN: DP
CHECKED: JS
CRP No.: XX

No.	BY	DATE



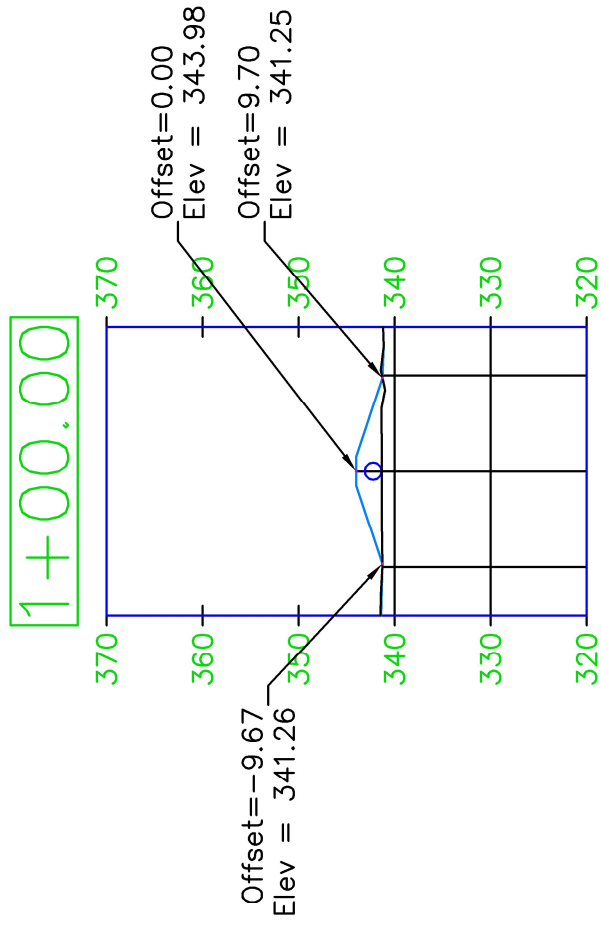
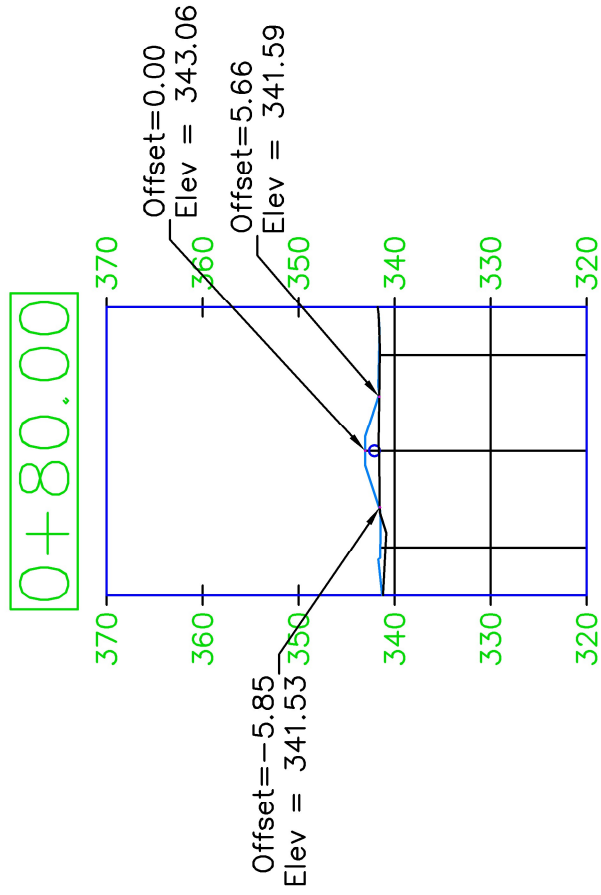
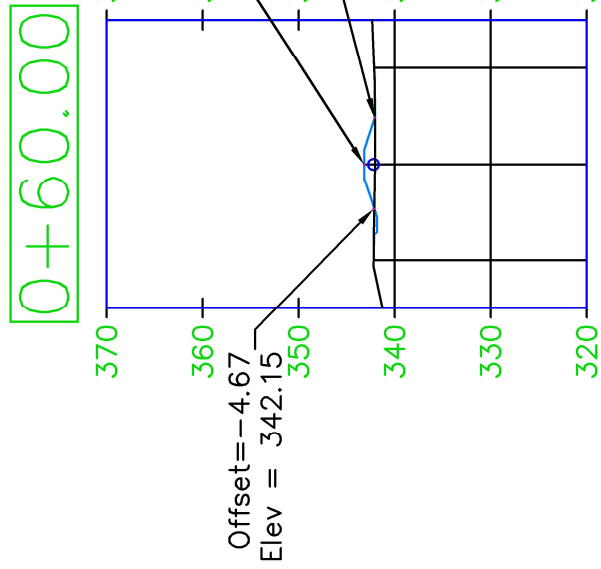
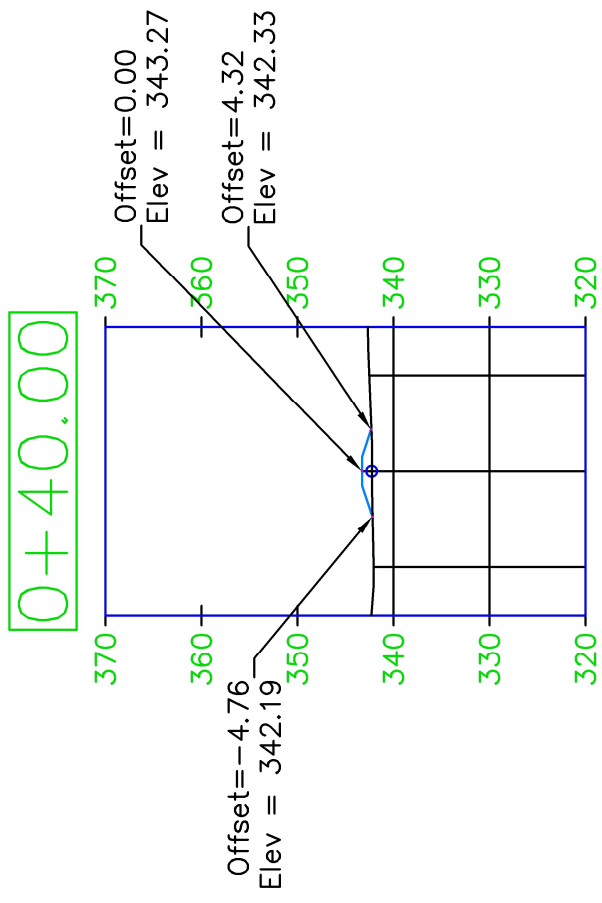
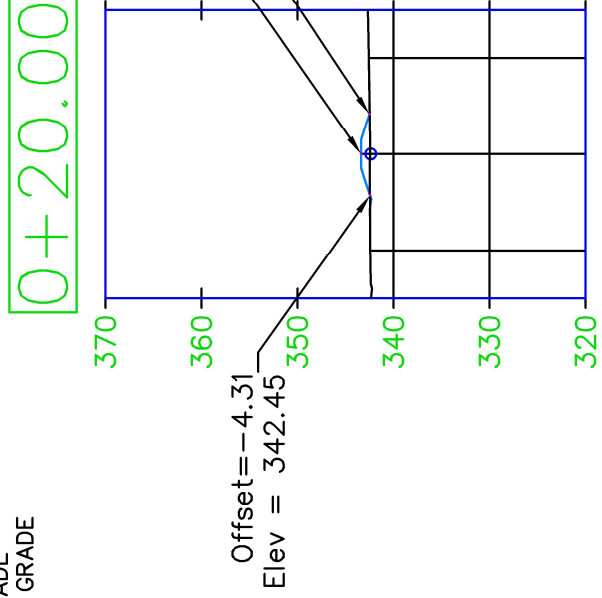
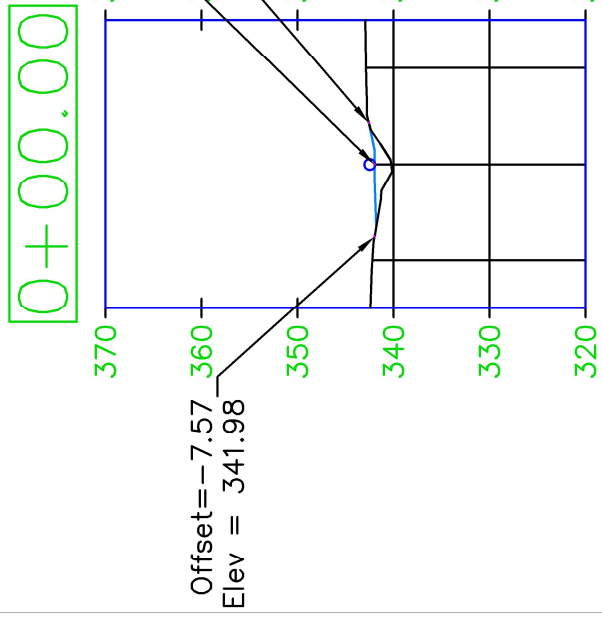
KITSAP COUNTY
DEPT. OF PUBLIC WORKS
614 DIVISION STREET MS-26
PORT ORCHARD, WA 98366
TEL:(360) 337-5777 FAX:(360) 337-4887

6428 SW GLENWOOD ROAD
STORMWATER RETROFIT
DETAILS
PORT ORCHARD, WA

DATE
11/3/22

SHEET
15
OF
19

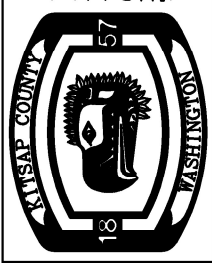
LEGEND
 — FINAL GRADE
 — EXISTING GRADE



REVISIONS

No.	BY	DATE	DESCRIPTION

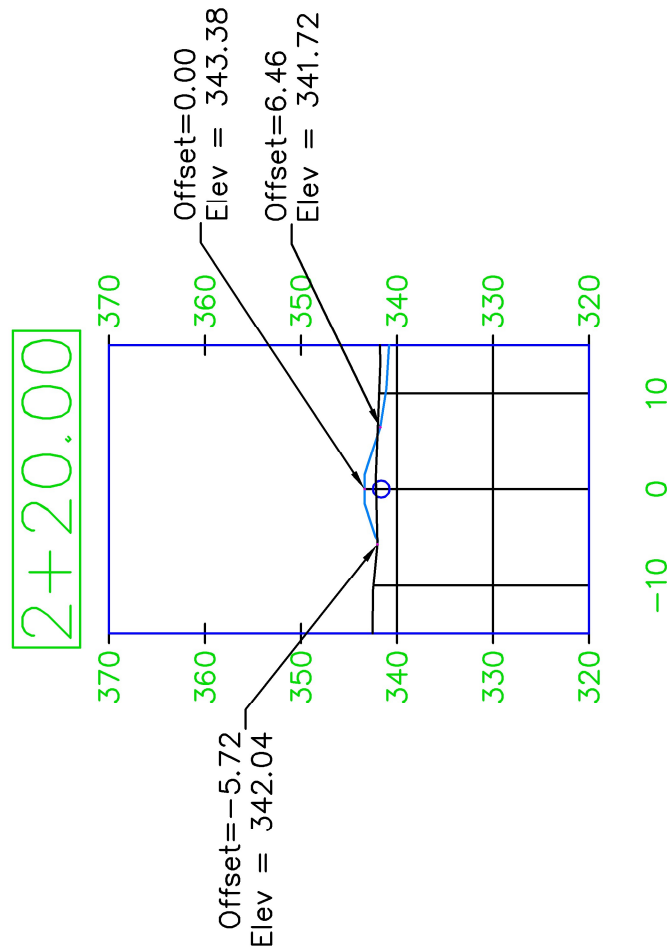
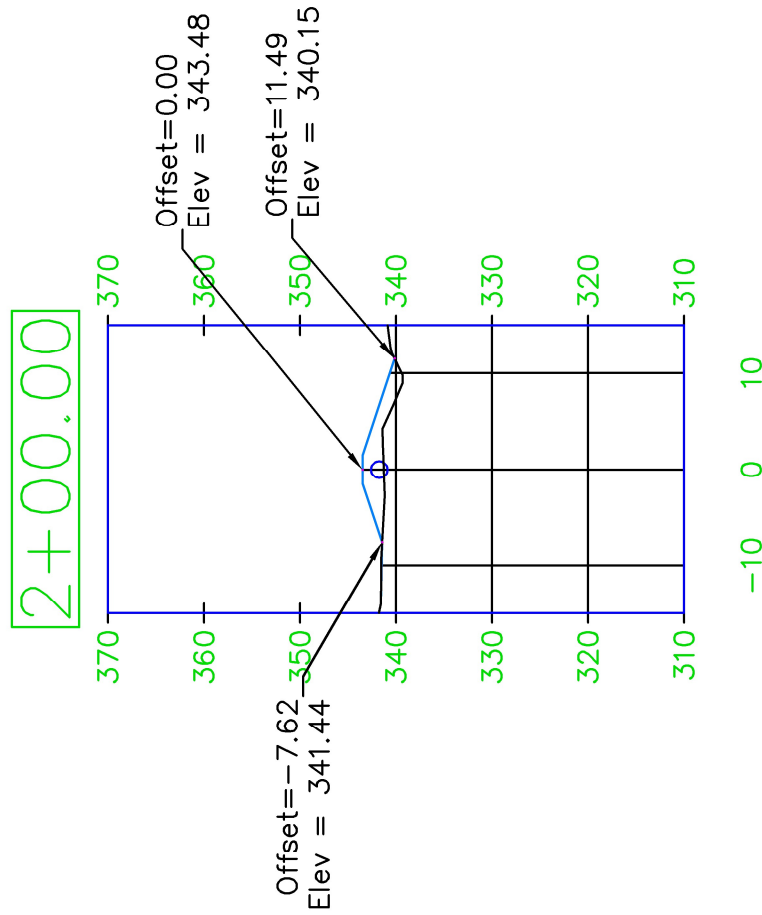
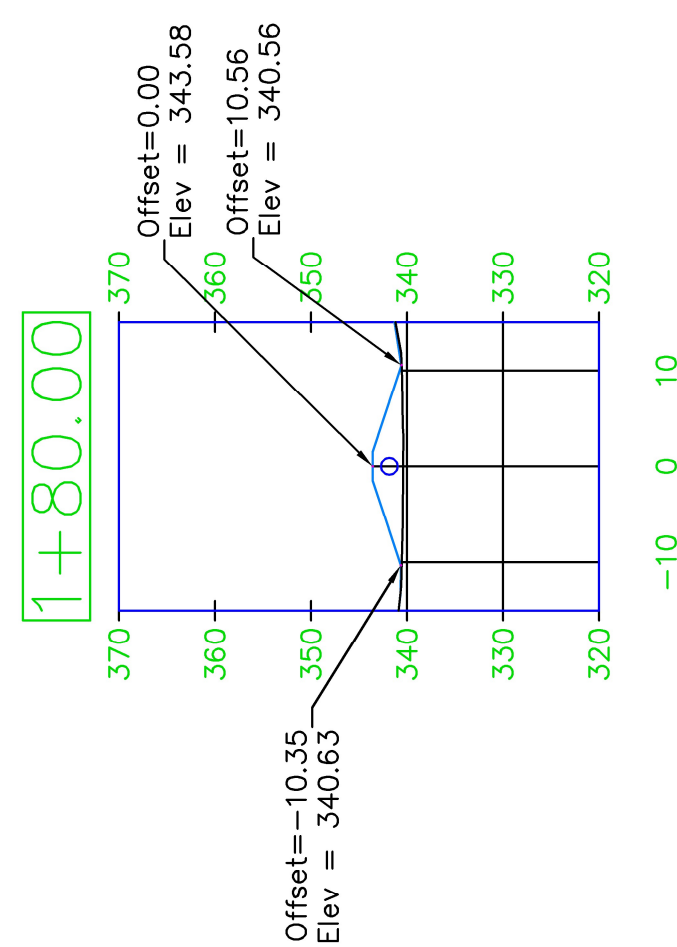
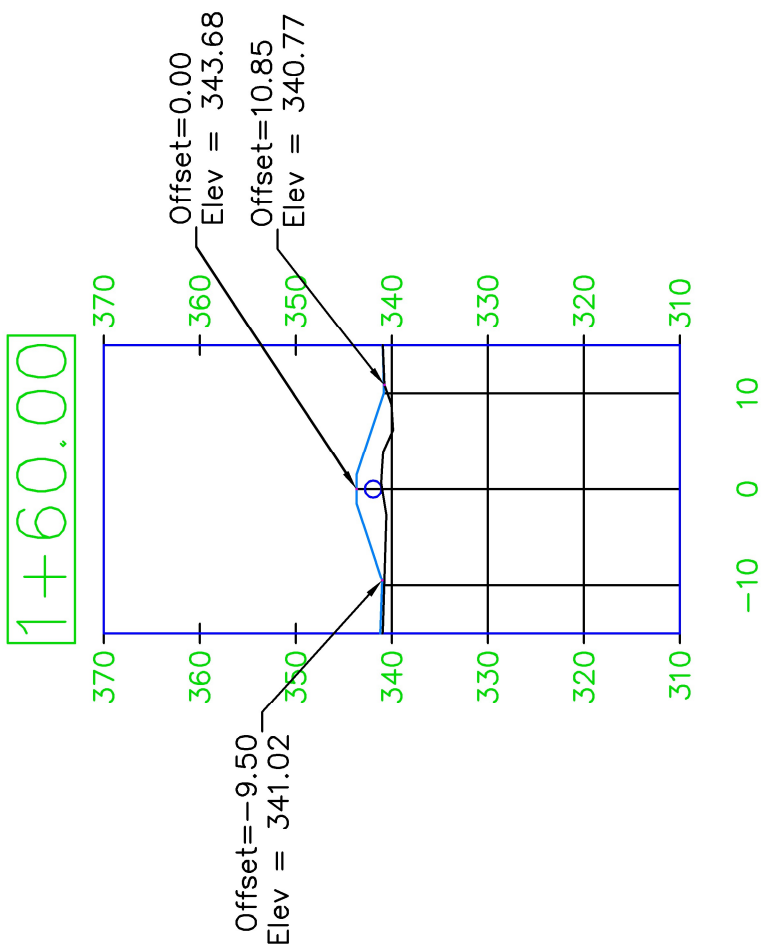
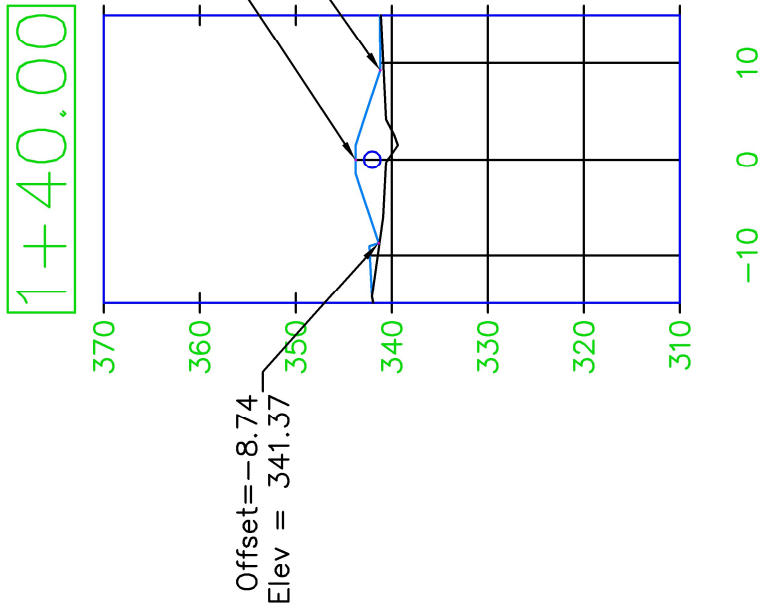
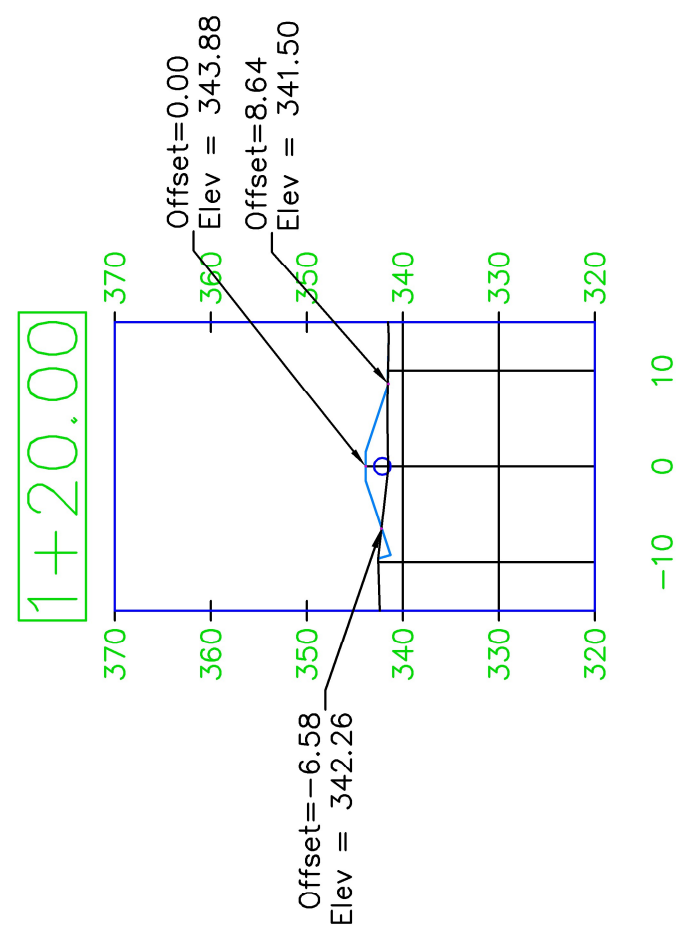
SURVISED: RC
DESIGNED: DP
DRAWN: DP
CHECKED: JS
CRP No.: XX



KITSAP COUNTY
 DEPT. OF PUBLIC WORKS
 614 DIVISION STREET MS-26
 PORT ORCHARD, WA 98366
 TEL:(360) 337-5777 FAX:(360) 337-4887

6428 SW GLENWOOD ROAD
STORMWATER RETROFIT
CROSS SECTIONS
 PORT ORCHARD, WA

LEGEND
 — FINAL GRADE
 — EXISTING GRADE



REVISIONS

No.	BY	DATE	DESCRIPTION

SURVEYED: RC
DESIGNED: DP
DRAWN: DP
CHECKED: JS
CRP No.: XX

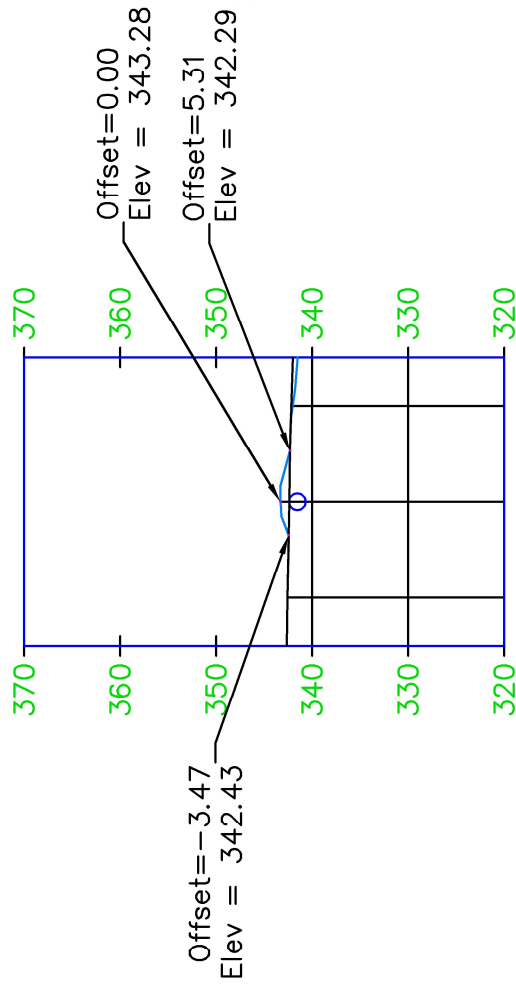


KITSAP COUNTY
 DEPT. OF PUBLIC WORKS
 614 DIVISION STREET MS-26
 PORT ORCHARD, WA 98366
 TEL:(860) 887-5777 FAX:(860) 887-4887

6428 SW GLENWOOD ROAD
 STORMWATER RETROFIT
 CROSS SECTIONS
 PORT ORCHARD, WA

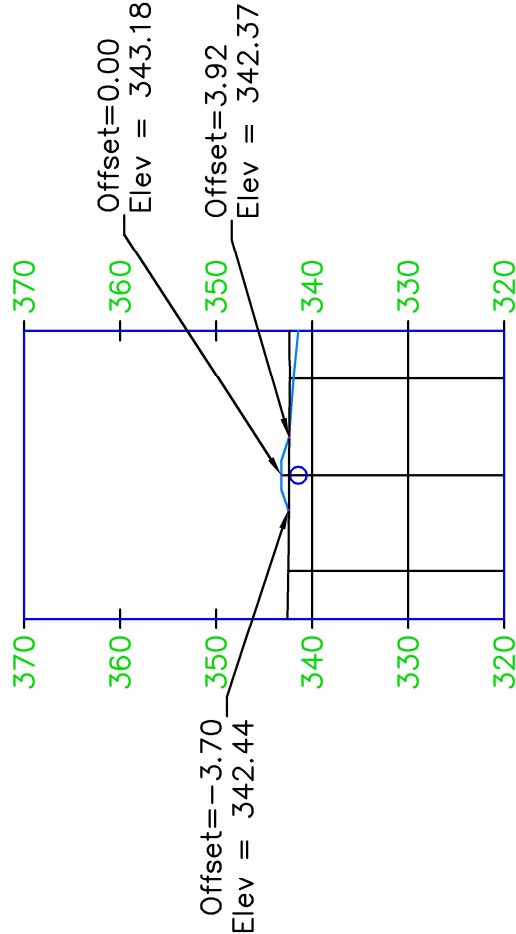
LEGEND
 — FINAL GRADE
 — EXISTING GRADE

2+40.00



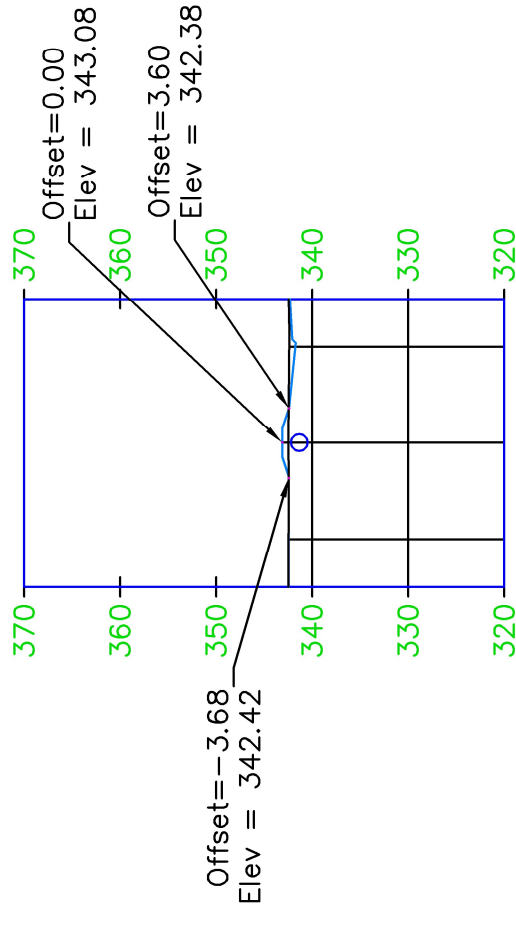
-10 0 10

2+60.00



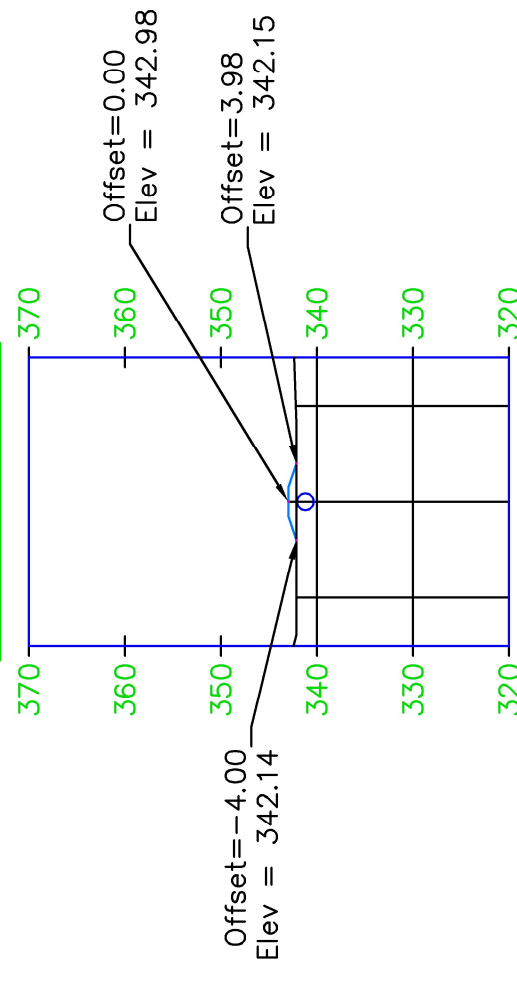
-10 0 10

2+80.00



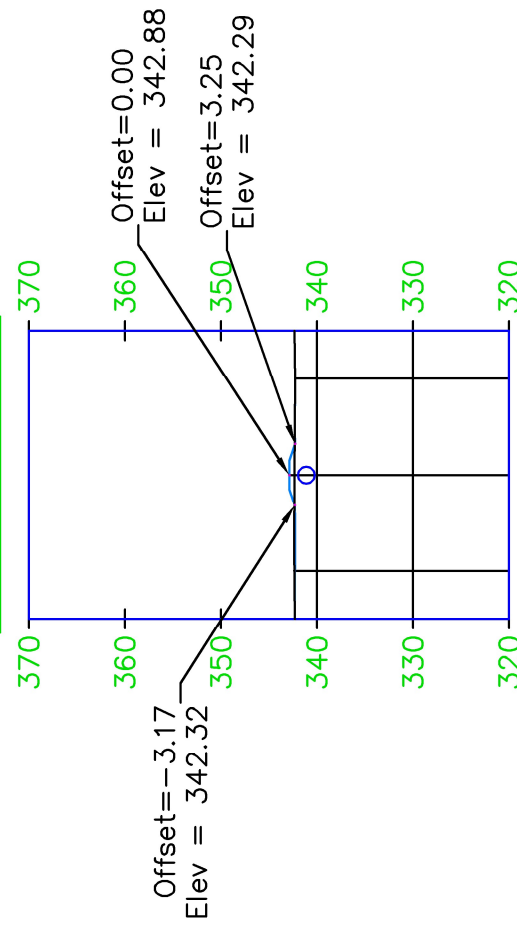
-10 0 10

3+00.00



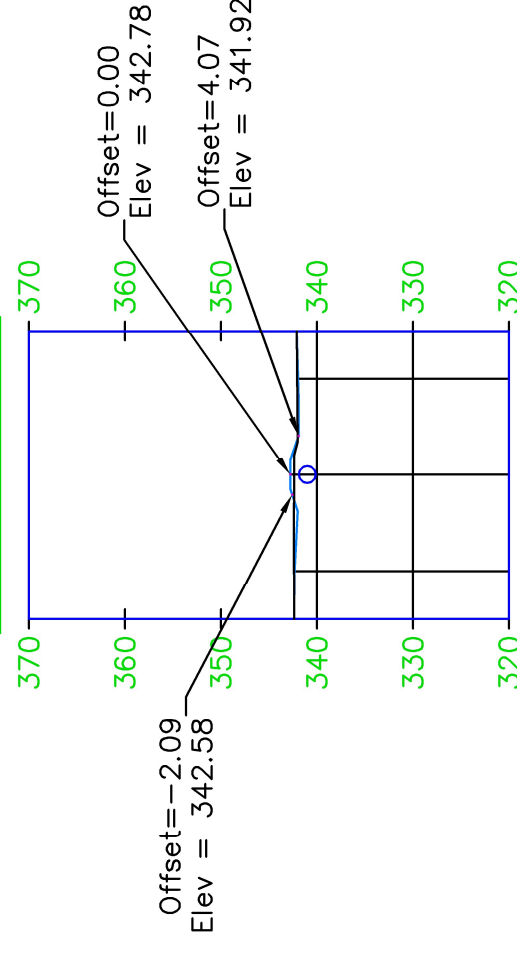
-10 0 10

3+20.00



-10 0 10

3+40.00



-10 0 10

REVISIONS

No.	BY	DATE	DESCRIPTION

SURVEYED: RC
DESIGNED: DP
DRAWN: DP
CHECKED: JS
CRP No.: XX



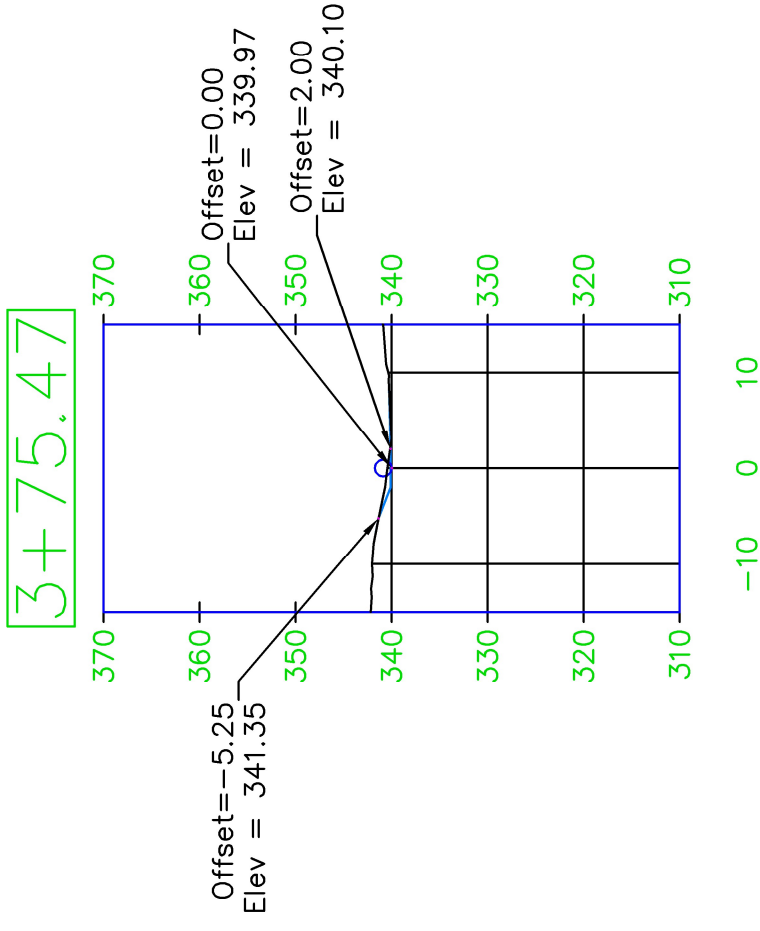
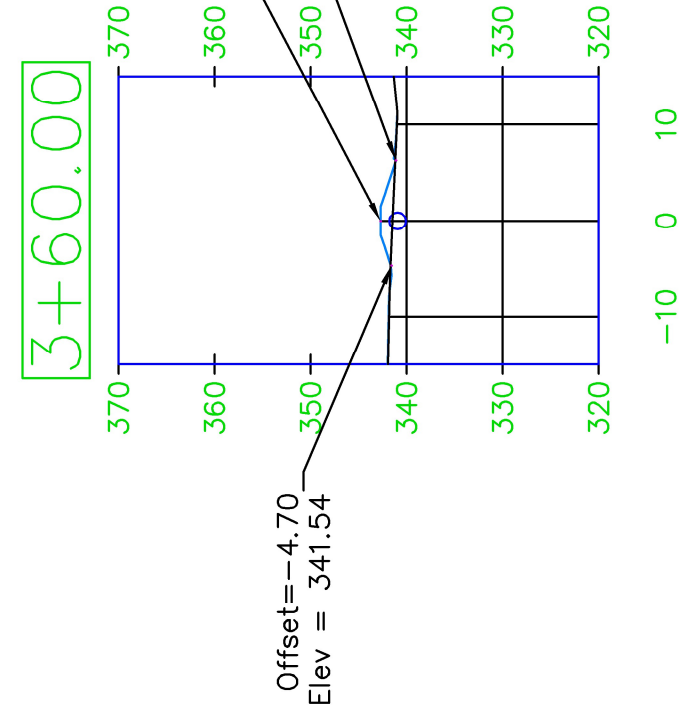
KITSAP COUNTY
 DEPT. OF PUBLIC WORKS
 614 DIVISION STREET MS-26
 PORT ORCHARD, WA 98366
 TEL:(860) 887-5777 FAX:(860) 887-4887

6428 SW GLENWOOD ROAD
 STORMWATER RETROFIT
 CROSS SECTIONS
 PORT ORCHARD, WA

DATE
 11/8/22

SHEET
 10
 OF
 18

LEGEND
 — FINAL GRADE
 — EXISTING GRADE



REVISIONS

No.	BY	DATE	DESCRIPTION

SURVEYED: RC
DESIGNED: DP
DRAWN: DP
CHECKED: JS
CRP No.: XX



KITSAP COUNTY
 DEPT. OF PUBLIC WORKS
 614 DIVISION STREET MS-26
 PORT ORCHARD, WA 98366
 TEL:(360) 337-5777 FAX:(360) 337-4887

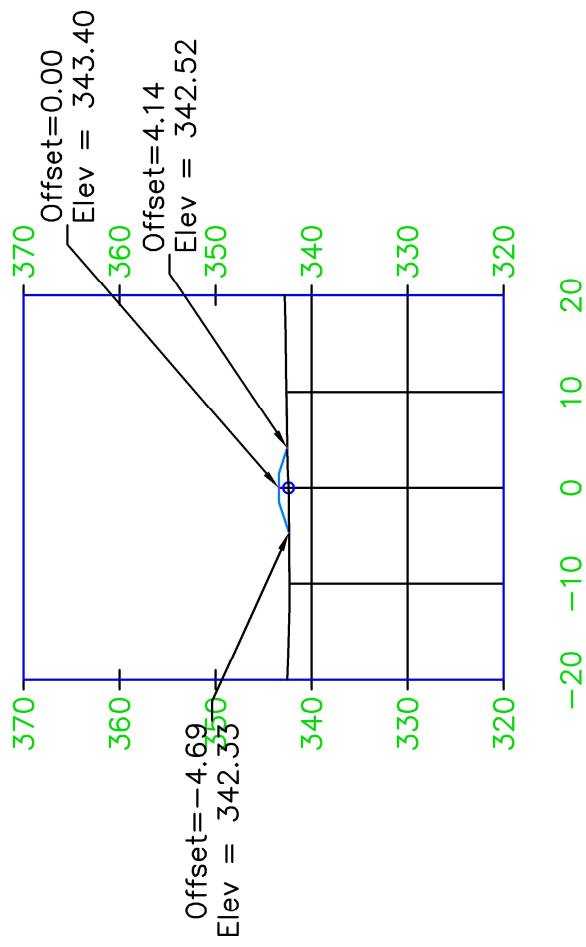
6428 SW GLENWOOD ROAD
 STORMWATER RETROFIT
 CROSS SECTIONS
 PORT ORCHARD, WA

DATE
 11/3/22

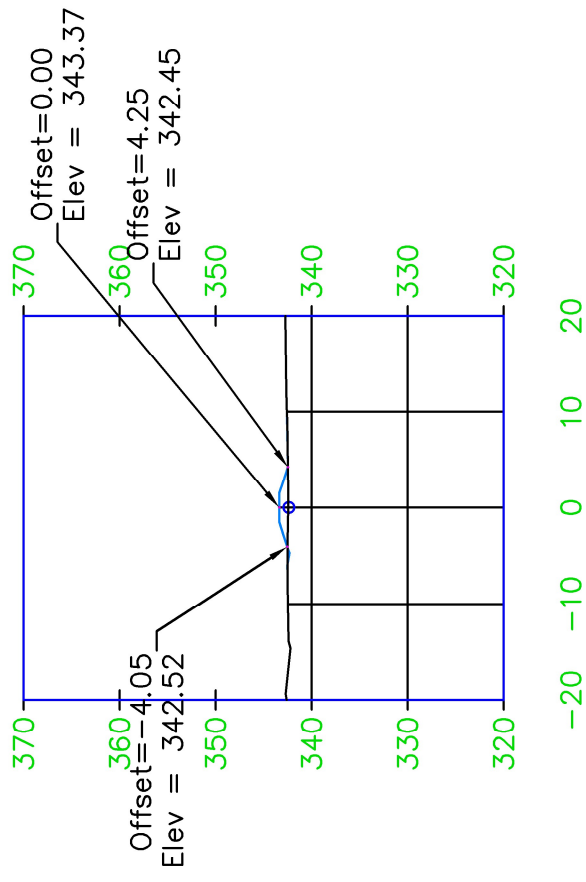
SHEET
 17
 OF
 19

LEGEND
 ——— FINAL GRADE
 ——— EXISTING GRADE

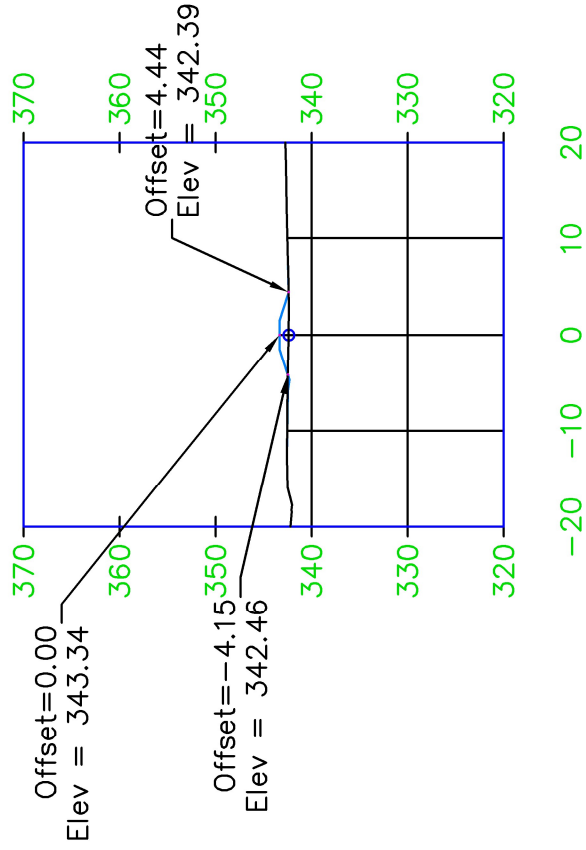
0+00.00



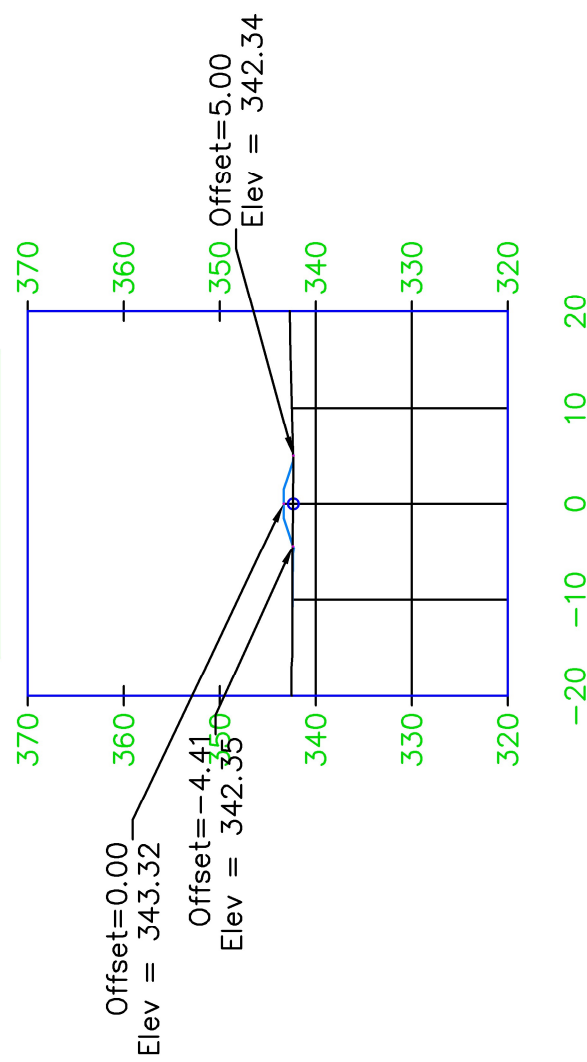
0+05.00



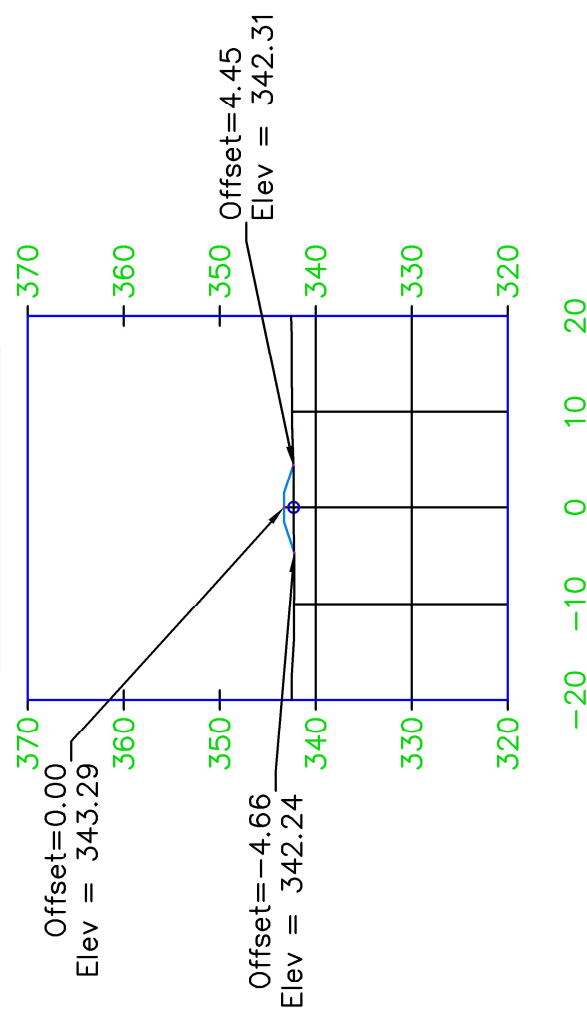
0+10.00



0+15.00



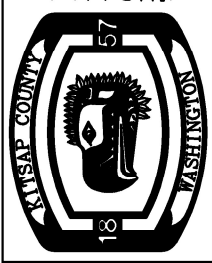
0+20.00



REVISIONS

No.	BY	DATE	DESCRIPTION

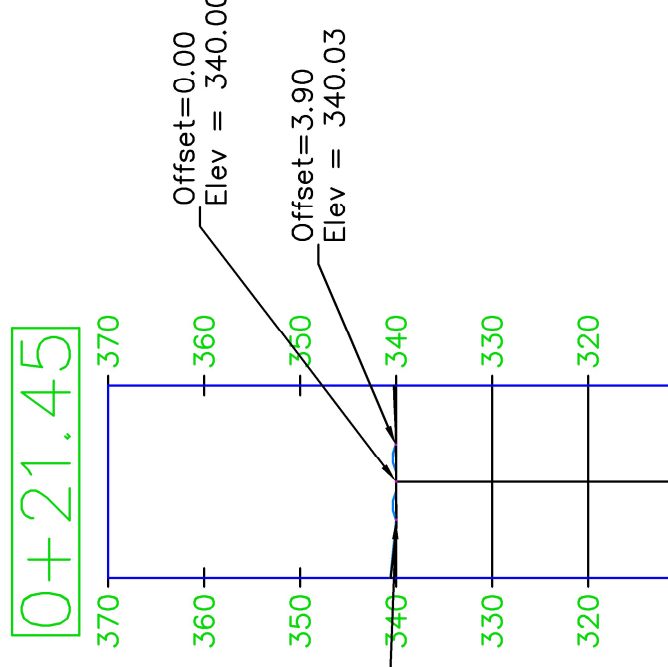
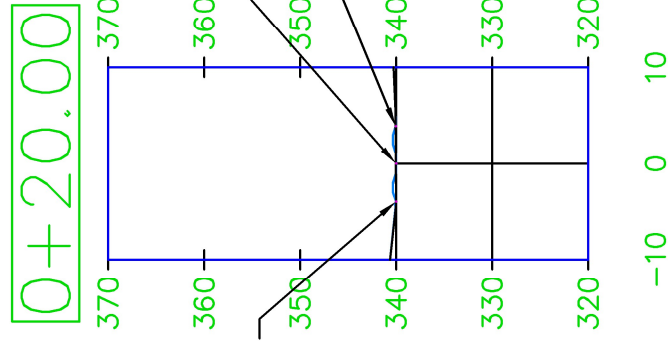
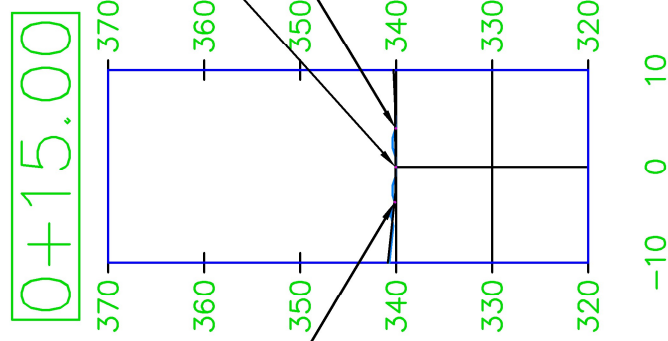
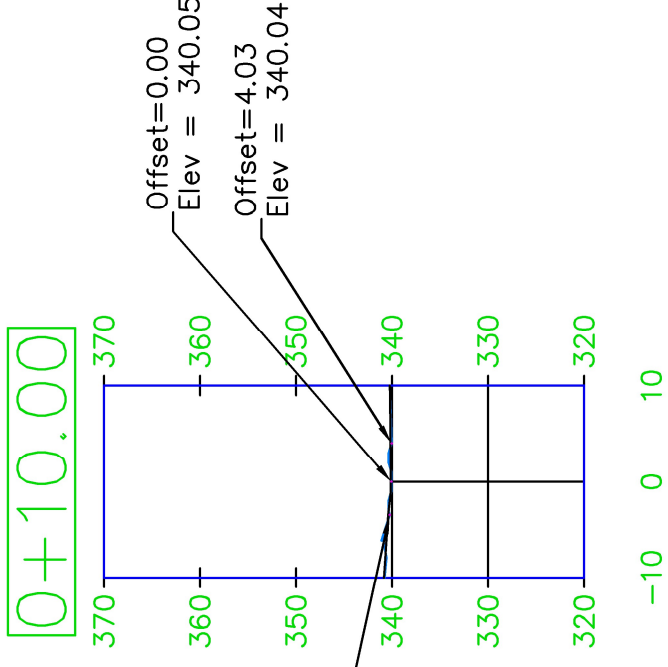
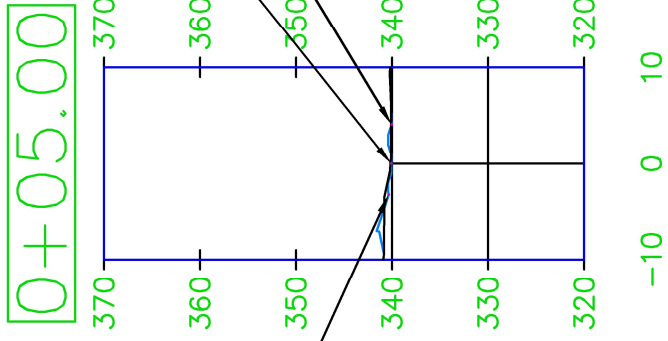
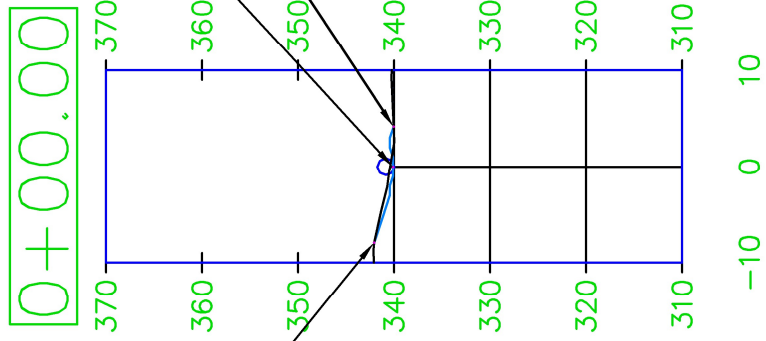
SURVEYED: RC
DESIGNED: DP
DRAWN: DP
CHECKED: JS
CRP No.: XX



KITSAP COUNTY
 DEPT. OF PUBLIC WORKS
 614 DIVISION STREET, MS-26
 PORT ORCHARD, WA 98366
 TEL:(360) 387-5777 FAX:(360) 387-4887

6428 SW GLENWOOD ROAD
STORMWATER RETROFIT
CROSS SECTIONS
 PORT ORCHARD, WA

LEGEND
 — FINAL GRADE
 — EXISTING GRADE



REVISIONS

No.	BY	DATE	DESCRIPTION

SURVEYED: RC
DESIGNED: DP
DRAWN: DP
CHECKED: JS
CRP No.: XX



KITSAP COUNTY
 DEPT. OF PUBLIC WORKS
 614 DIVISION STREET MS-26
 PORT ORCHARD, WA 98366
 TEL:(860) 887-5777 FAX:(860) 887-4887

6428 SW GLENWOOD ROAD
STORMWATER RETROFIT
CROSS SECTIONS
 PORT ORCHARD, WA