

NO.	DATE	BY	REVISION
1	10-11-77	SM	ADD ANCHOR BLOCKS

Job No. 4464-05-99	Designed GWR	Proj. Engineer [Signature]
SCALE Vert. 1"=10' Horiz. 1"=100'	Drawn by LGE	App'd by [Signature]
	Checked by RLM	Date 5-27-77

URS COMPANY
A Professional Services Organization
Seattle, Washington

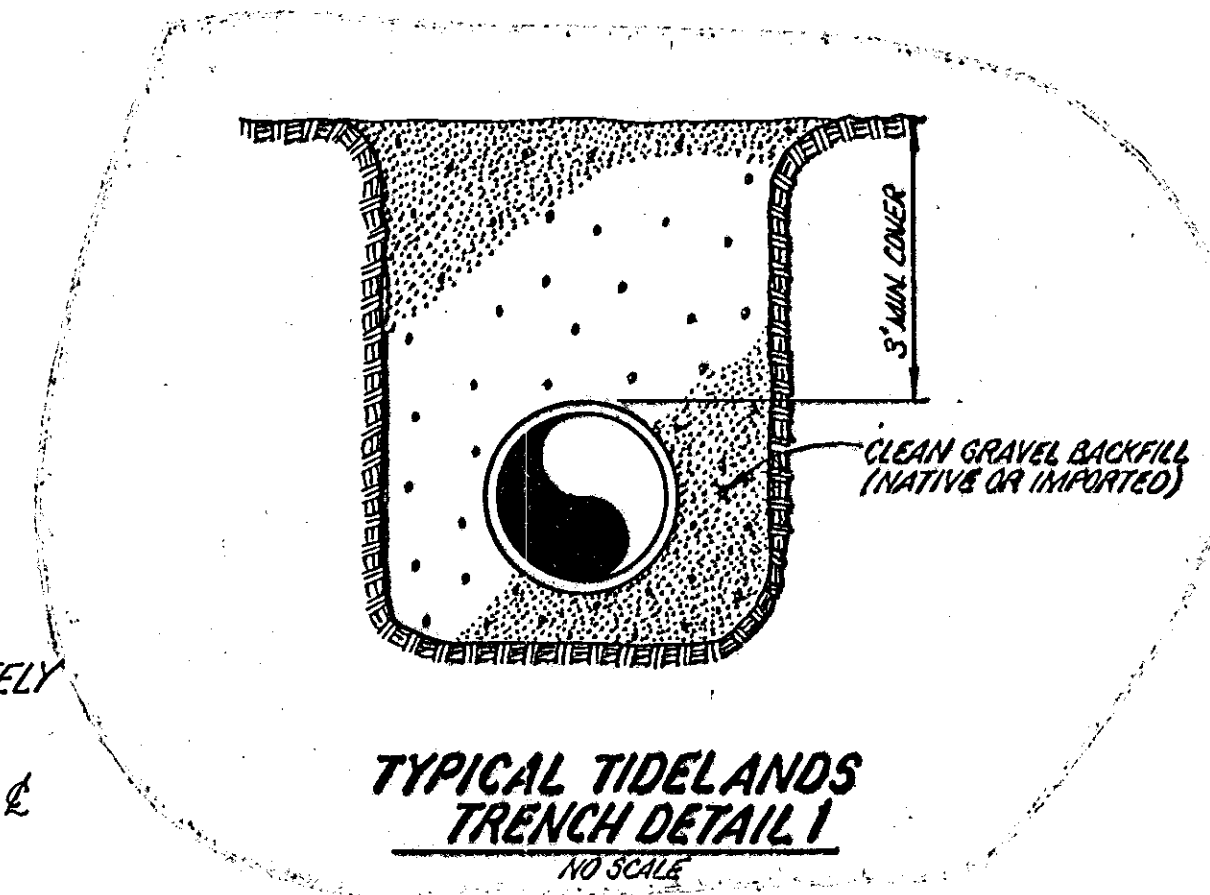
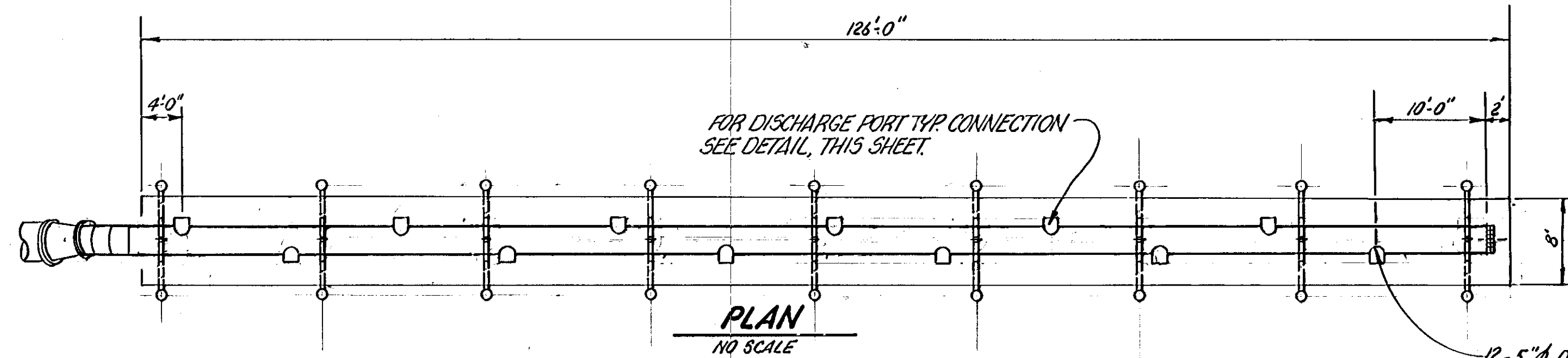
KITSAP COUNTY
CENTRAL KITSAP WASTEWATER
FACILITIES

SUBMARINE OUTFALL & KEYPORT-LEMOLO CROSSING
PLAN & PROFILE
CONTRACT IV

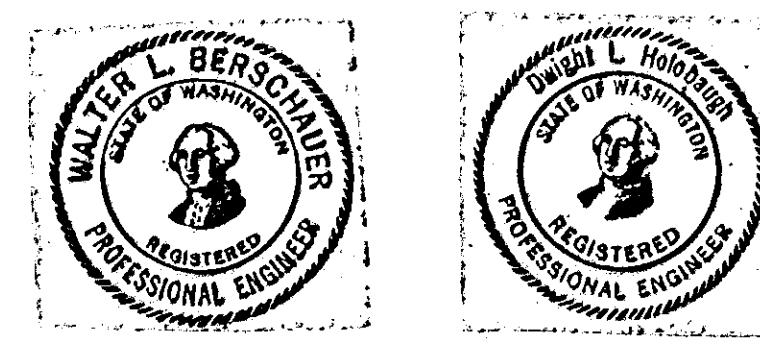
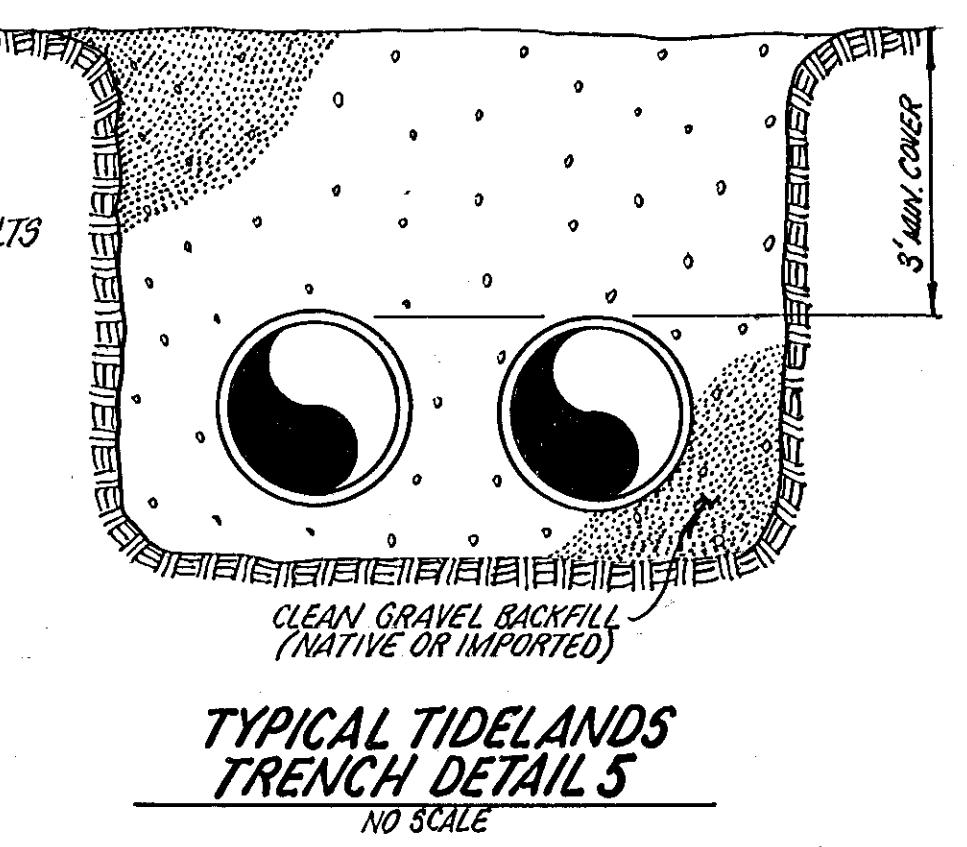
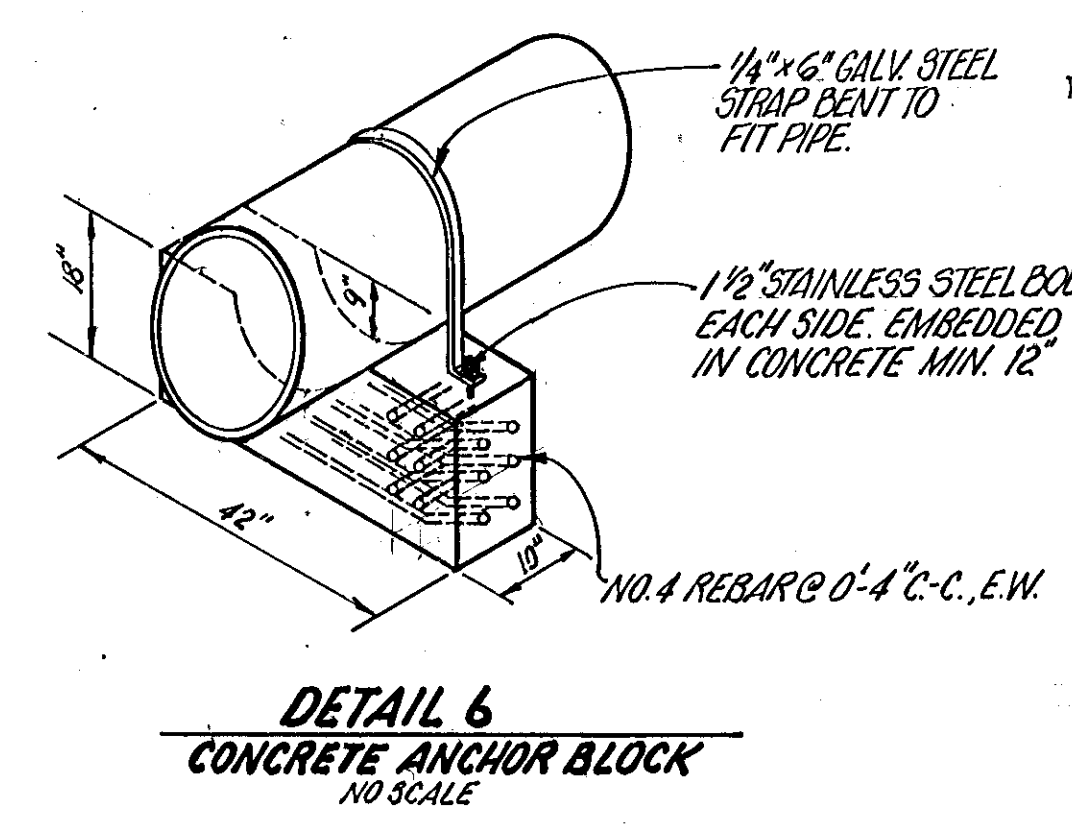
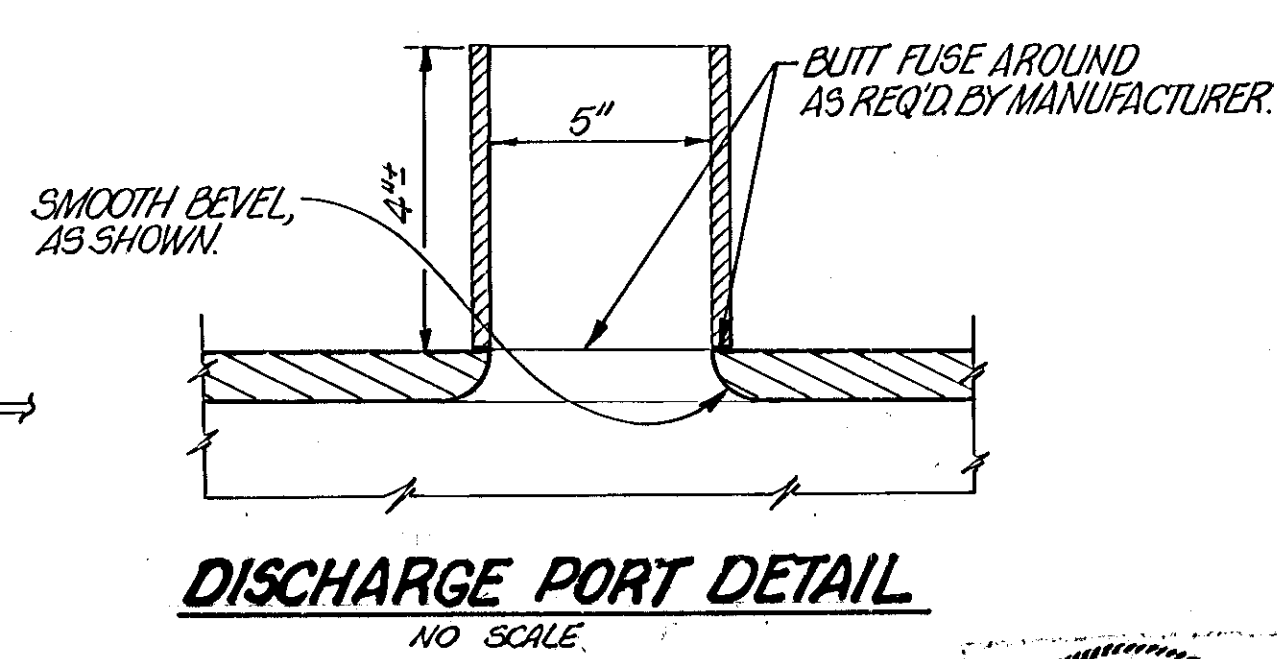
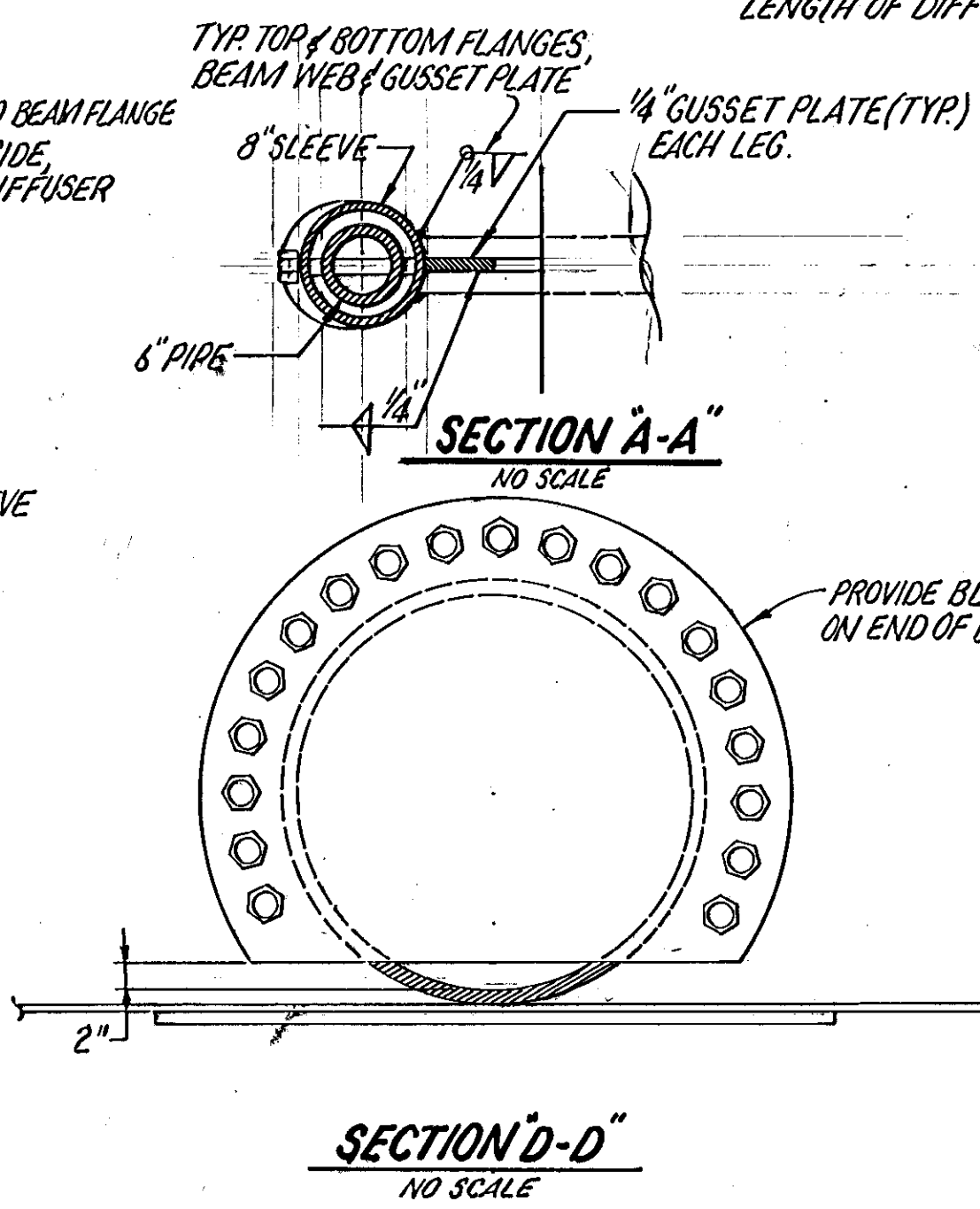
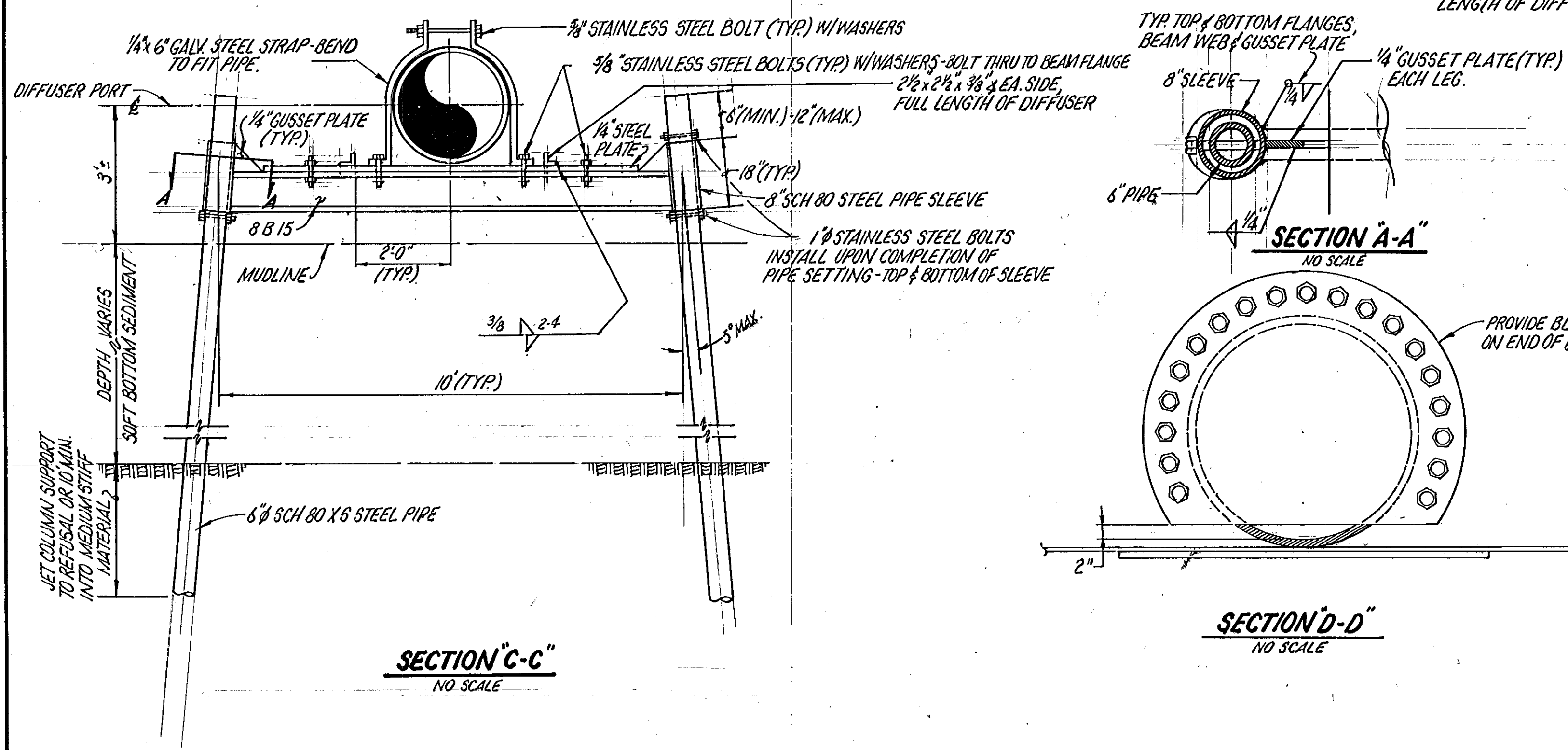
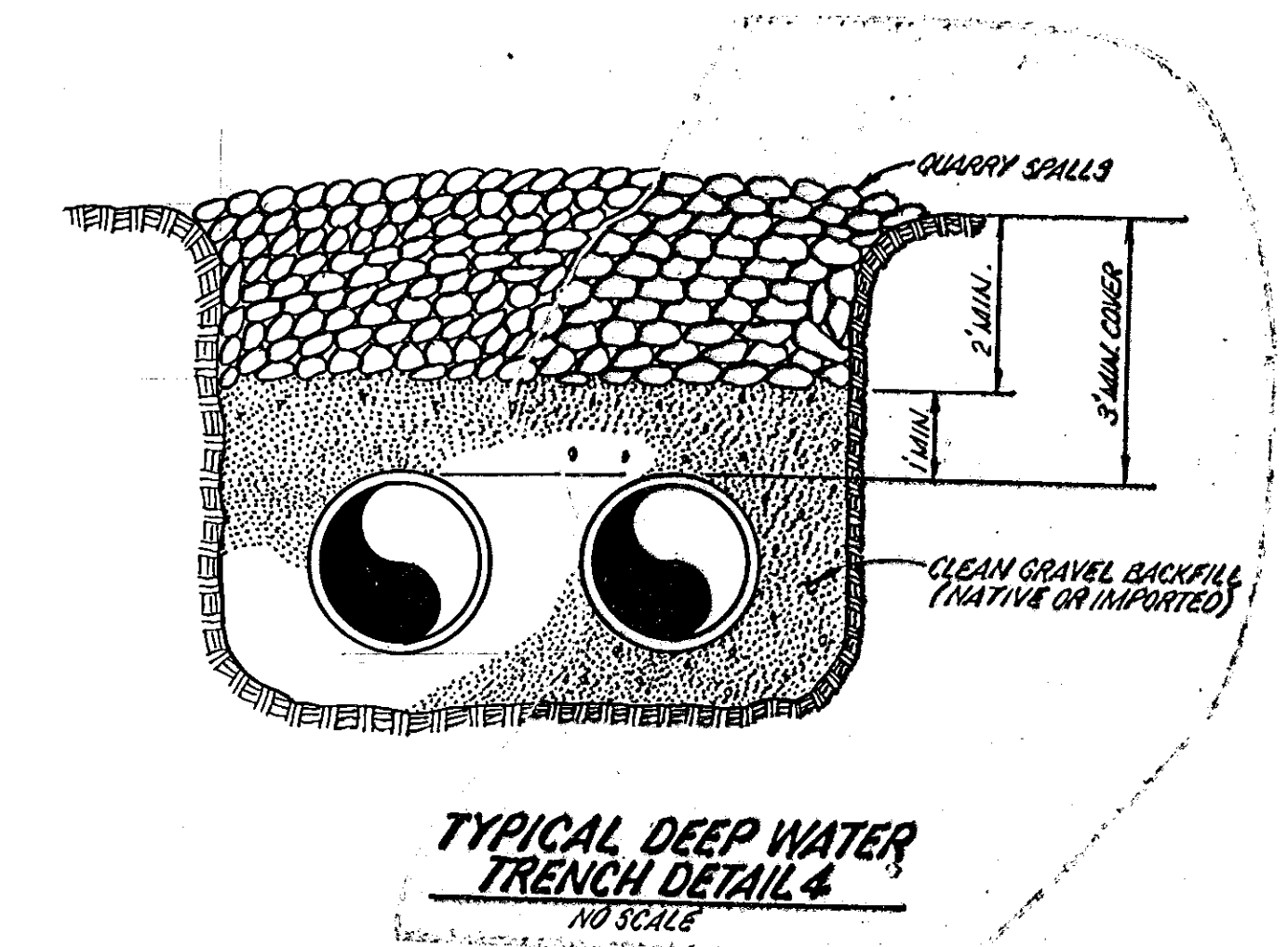
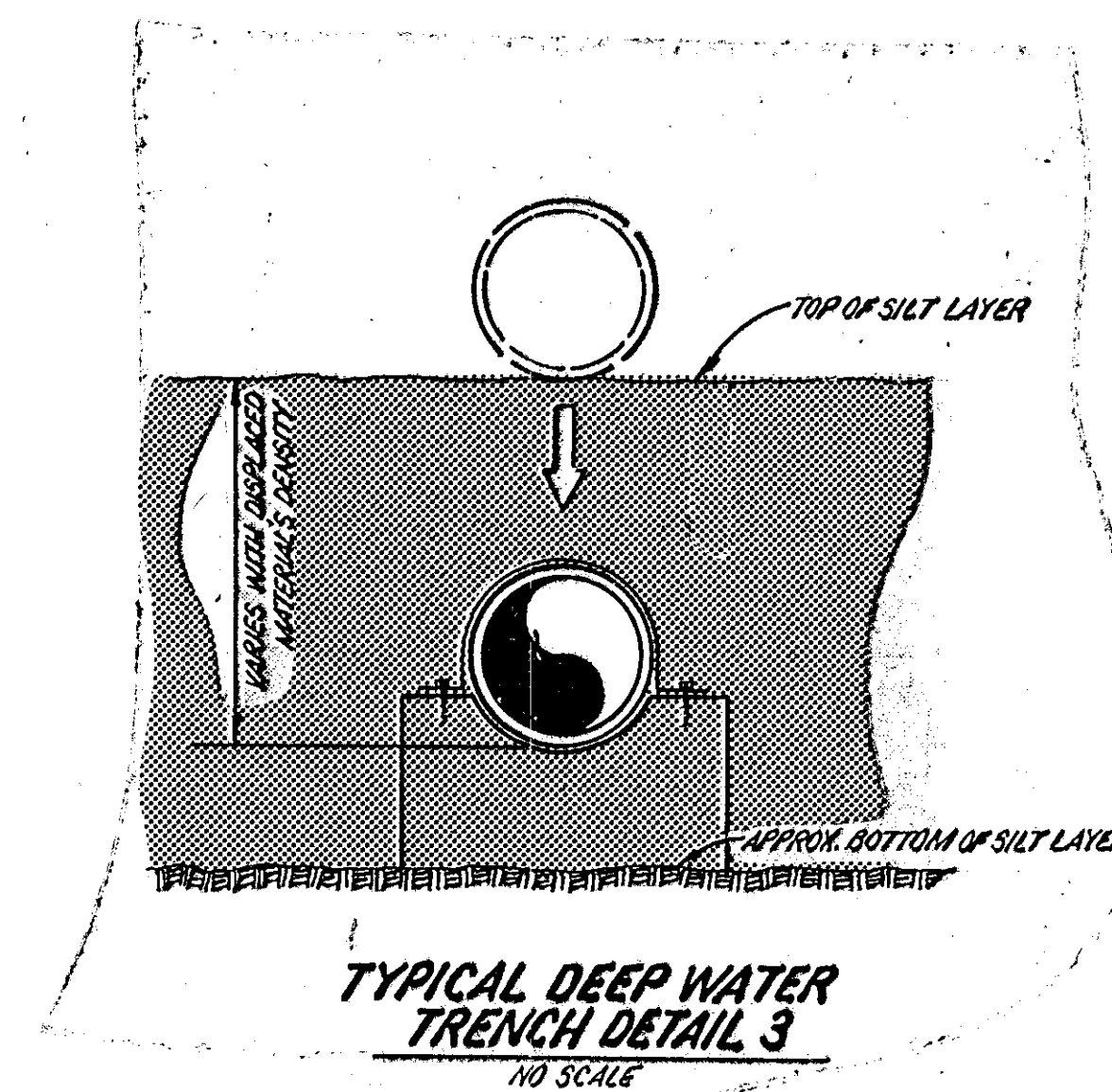
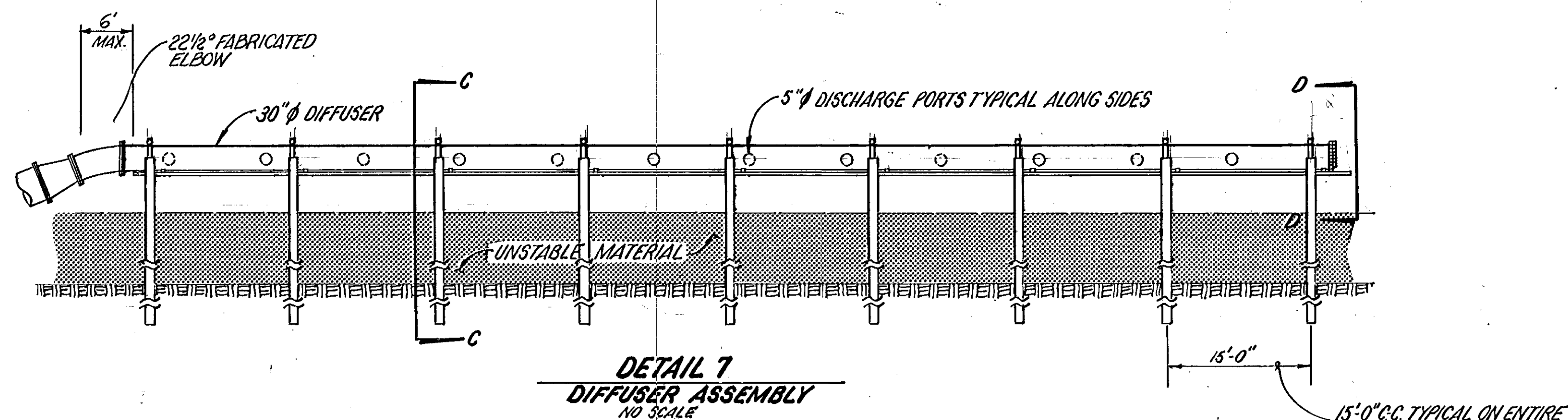
SHEET	1
	3

PROFILE		PLAN	
DATE		DATE	
BY		BY	
CHECKED		CHECKED	
REVISIONS		REVISIONS	

3.615-1



12-5" Ø DISCHARGE PORTS ALTERNATELY SPACED ALONG DIFFUSER. 10'-0" C.C. BETWEEN PORTS. (TYPICAL) PORTS ARE TO BE CENTERED ON HORIZ. &



FOR COUNTY USE ONLY
DISTANCES AND ELEVATIONS
NOT VERIFIED

REVISED TO CONFORM WITH CONSTRUCTION RECORDS
By: [Signature]
Date: 7-23-80

No.	DATE	BY	REVISION
1	10-11-77	SM	REVISED COLUMN DEPTH
			REVISION

Job No.	446A-10-99
Designed	DDG
Drawn by	AGE
Checked by	RLM
Proj. Eng.	[Signature]
Approved by	[Signature]
Date	5-27-77

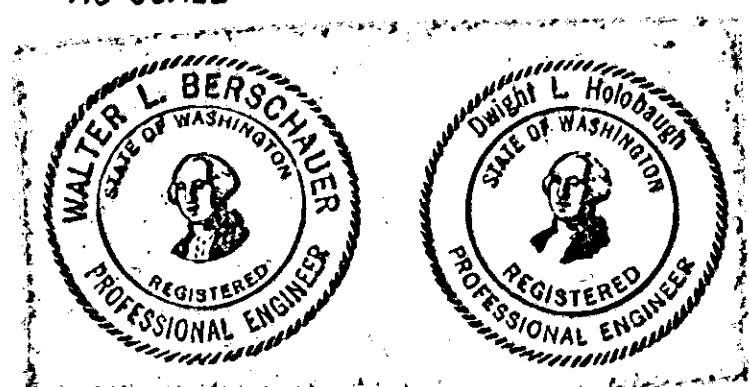
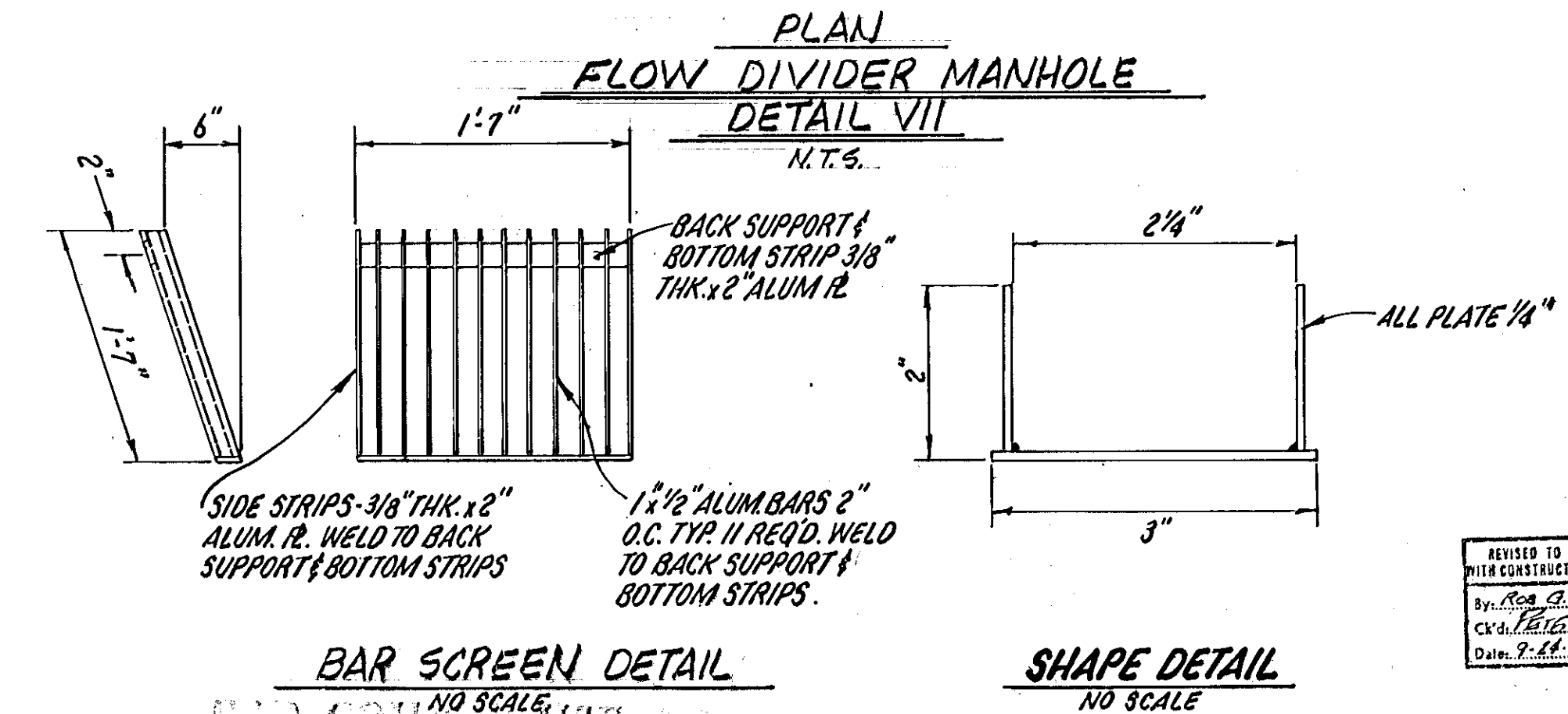
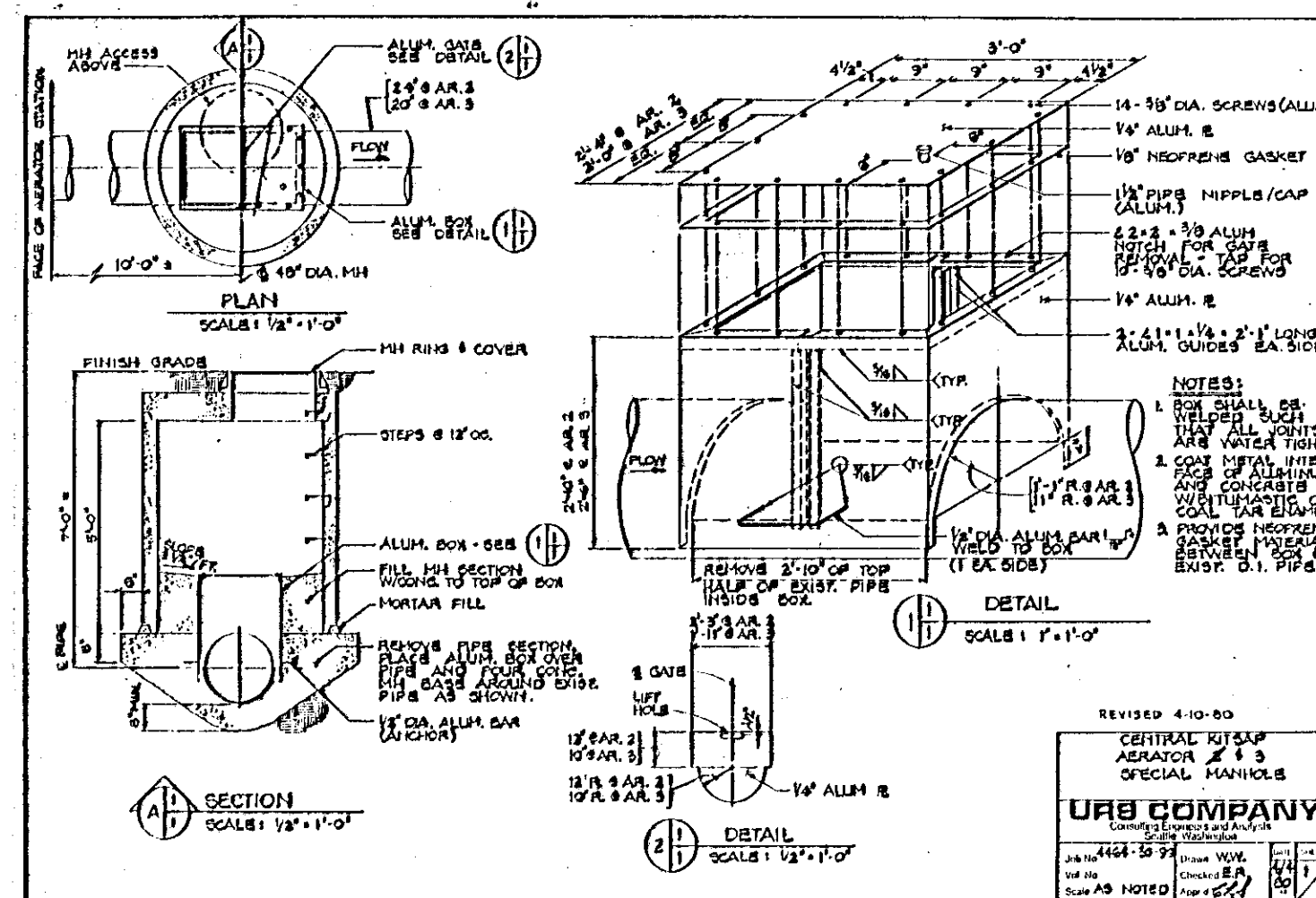
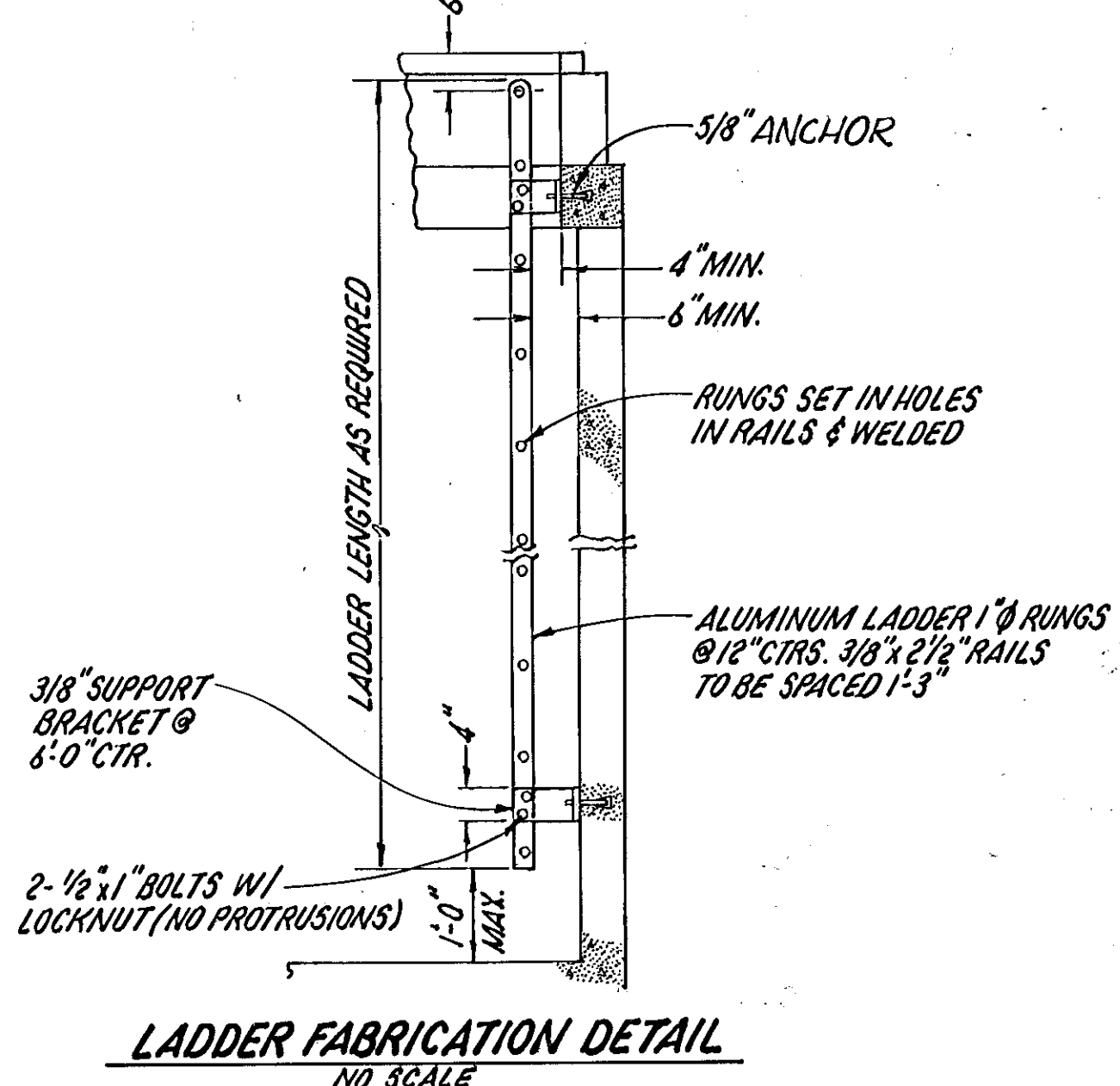
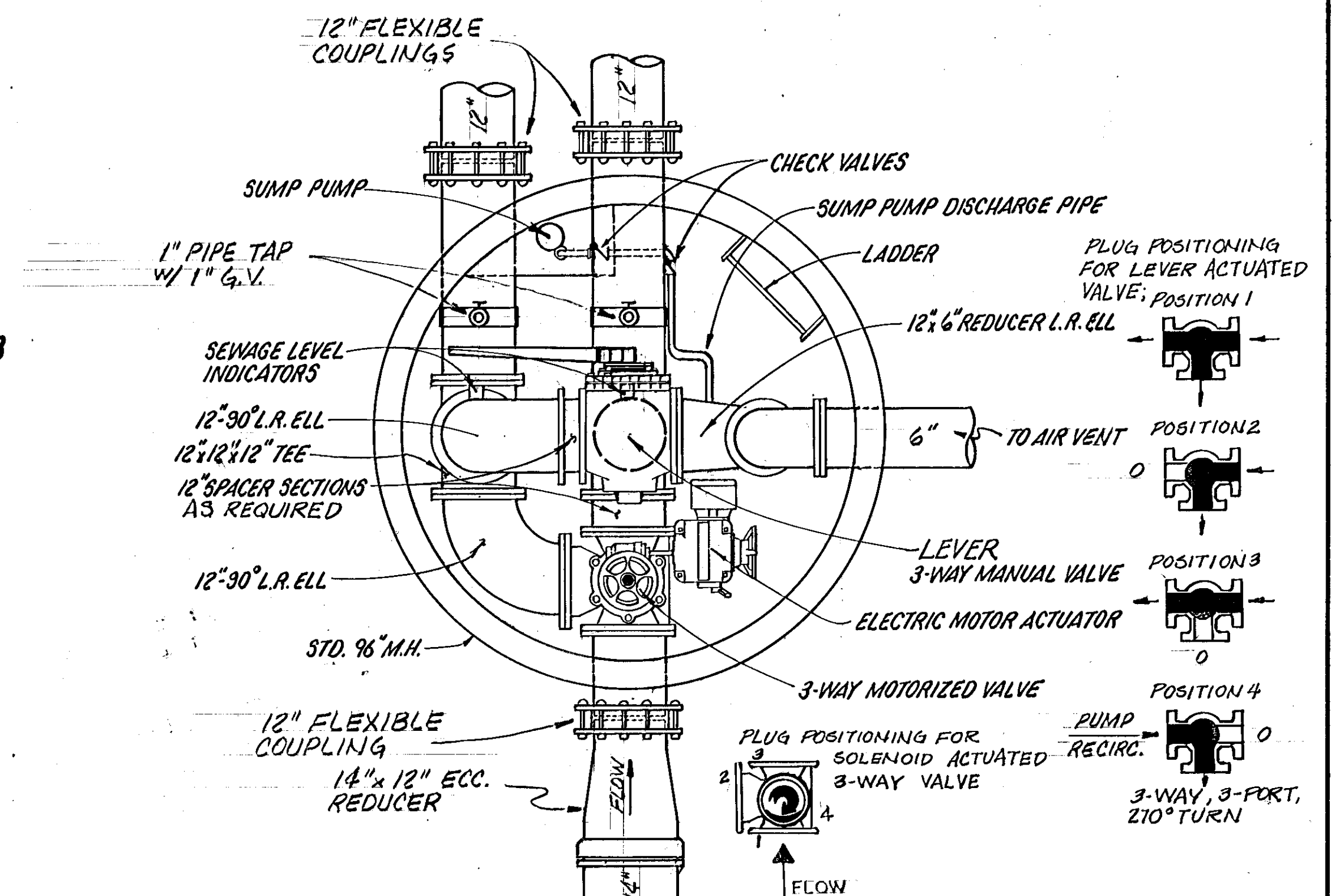
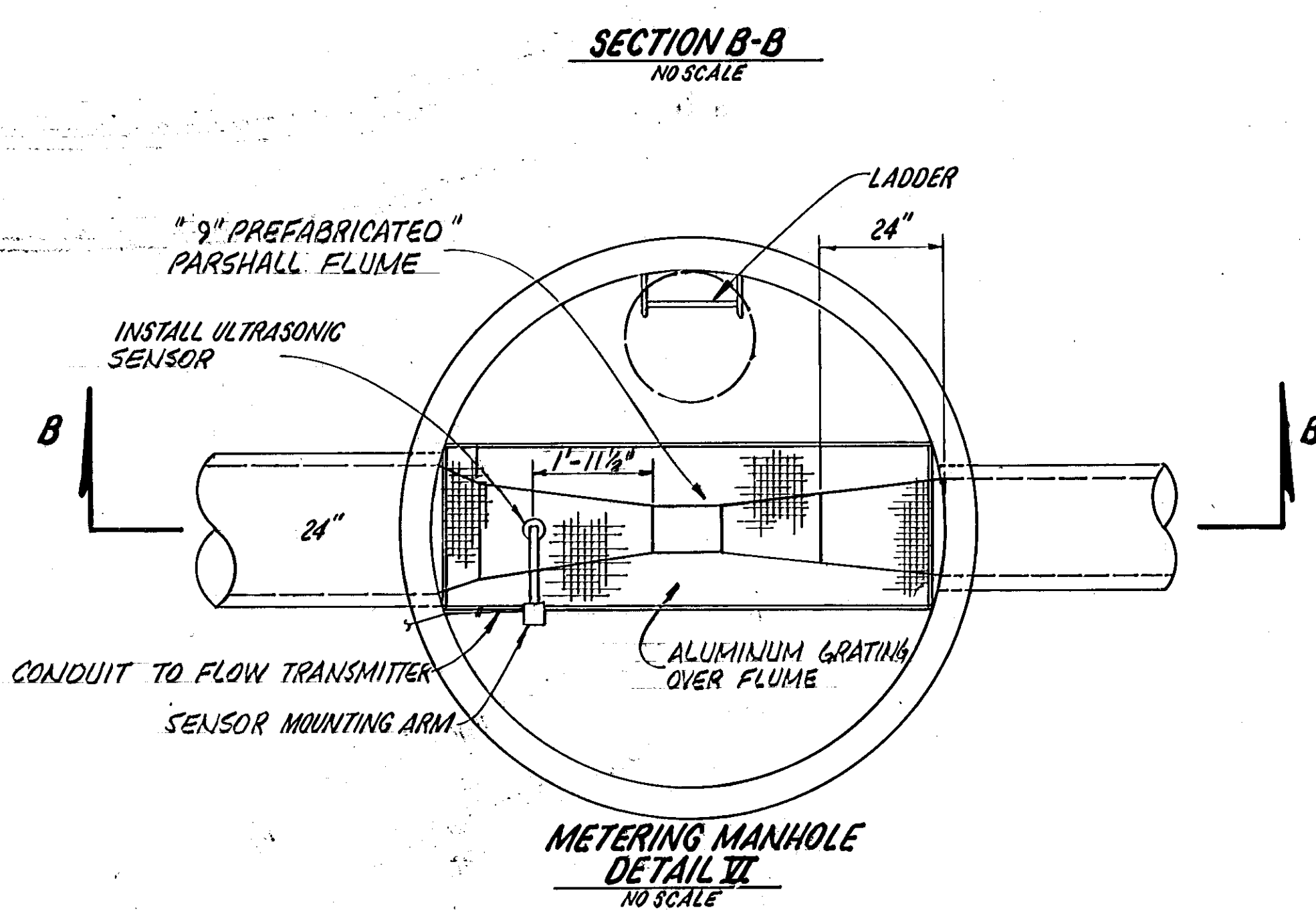
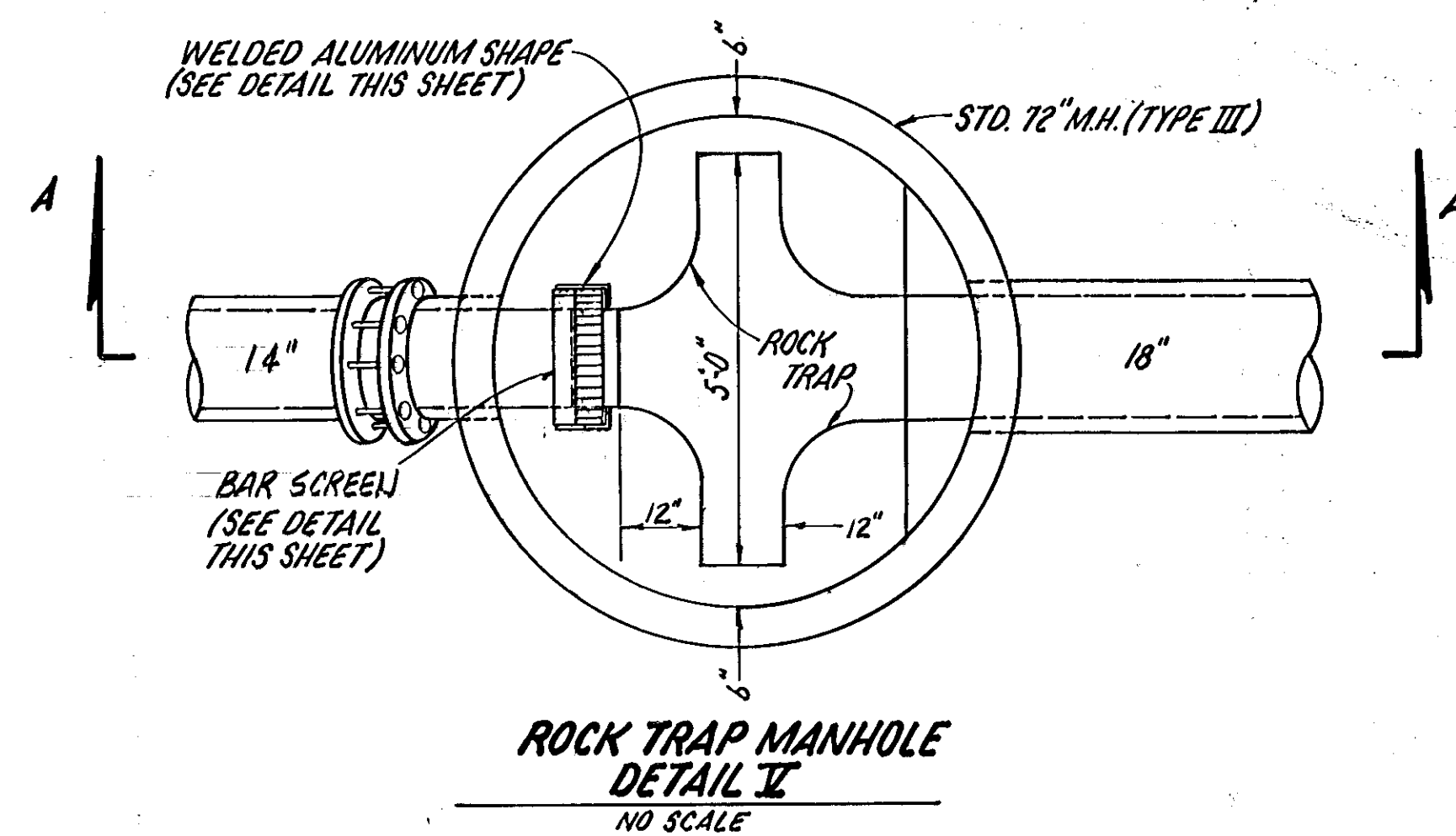
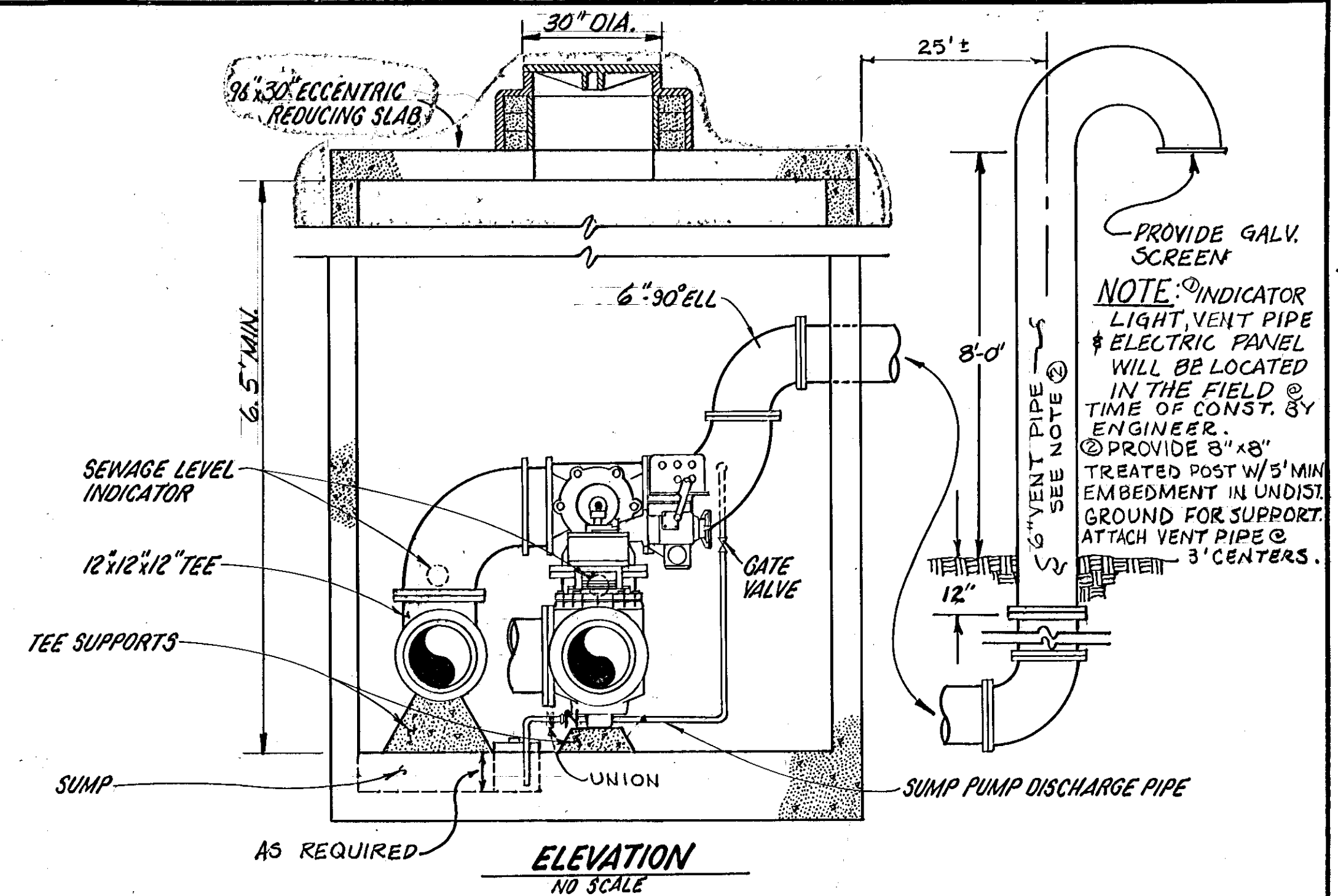
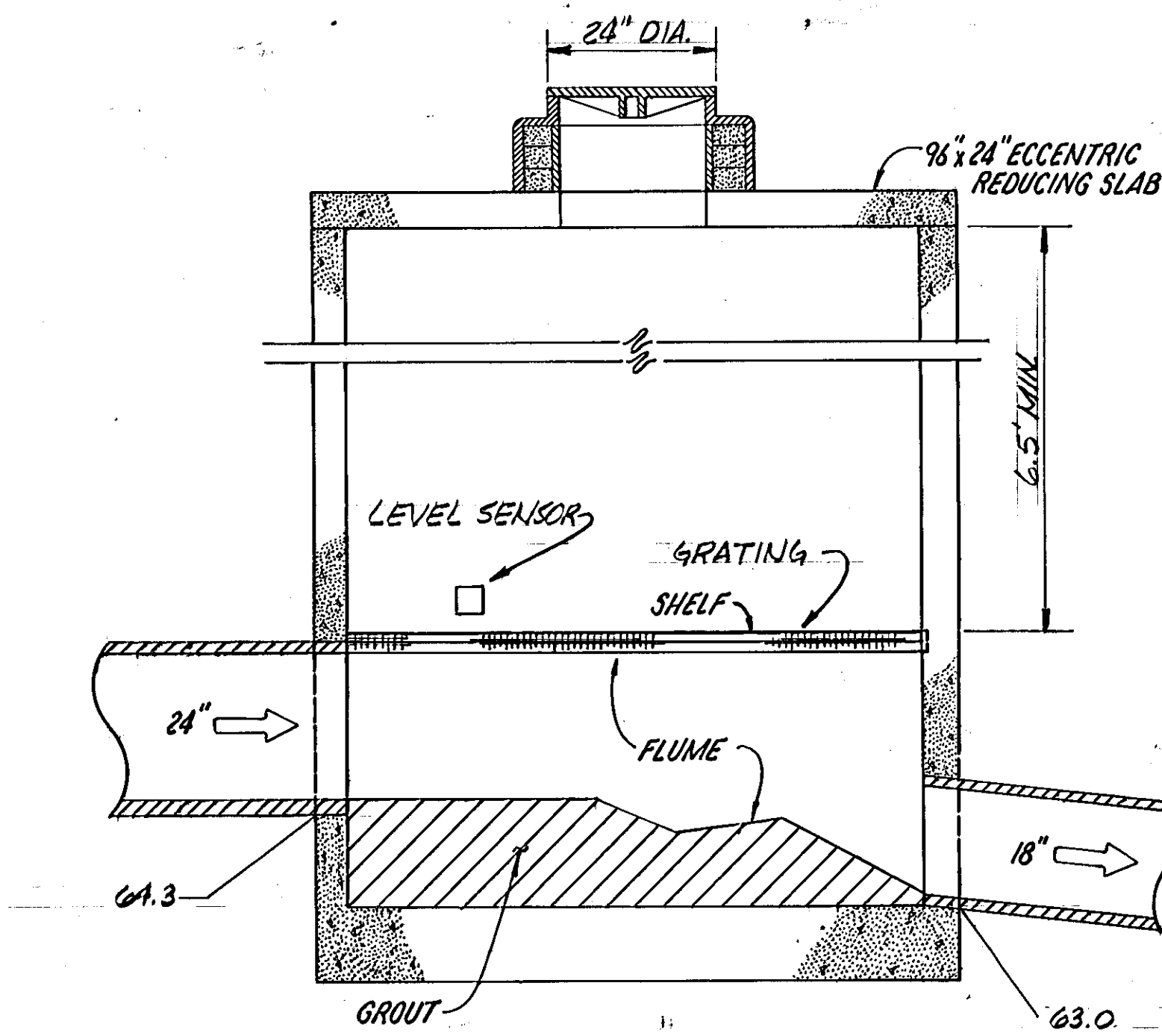
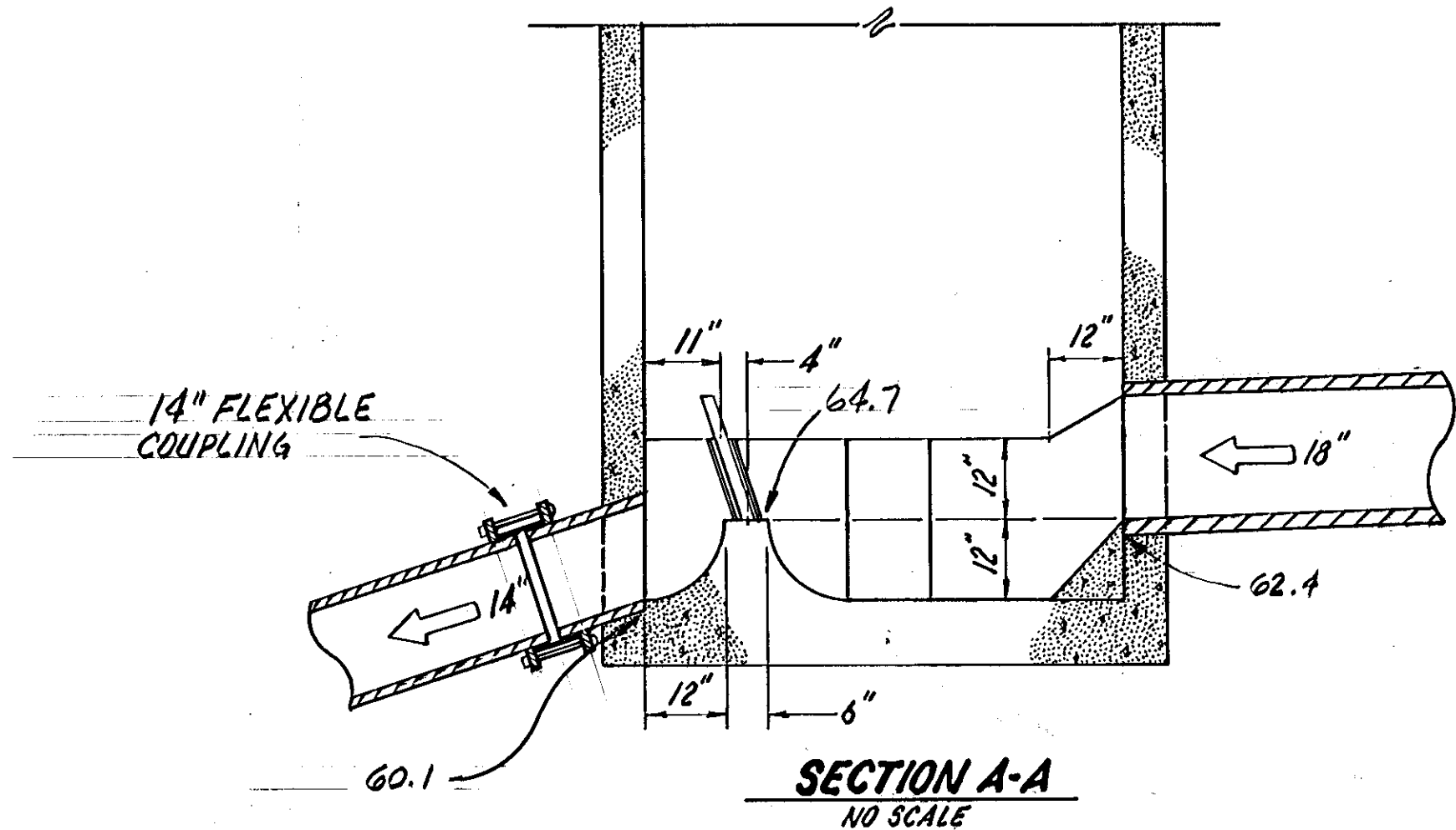
URS COMPANY
A Professional Services Organization
Seattle, Washington

KITSAP COUNTY
CENTRAL KITSAP WASTEWATER FACILITIES

SUBMARINE OUTFALL & KEYPORT-LEMOLO CROSSING
DETAIL SHEET
CONTRACT V

SHEET
3
3.615-3

3.615-3



Job No. 4464-05-97
 SCALE: AS SHOWN
 Designed: RLM & RLP
 Drawn by: [Signature]
 Checked by: [Signature]
 Project Engineer: [Signature]
 Approved: [Signature]
 Date: 6-7-97

URS COMPANY
 A Professional Services Organization
 Seattle, Washington

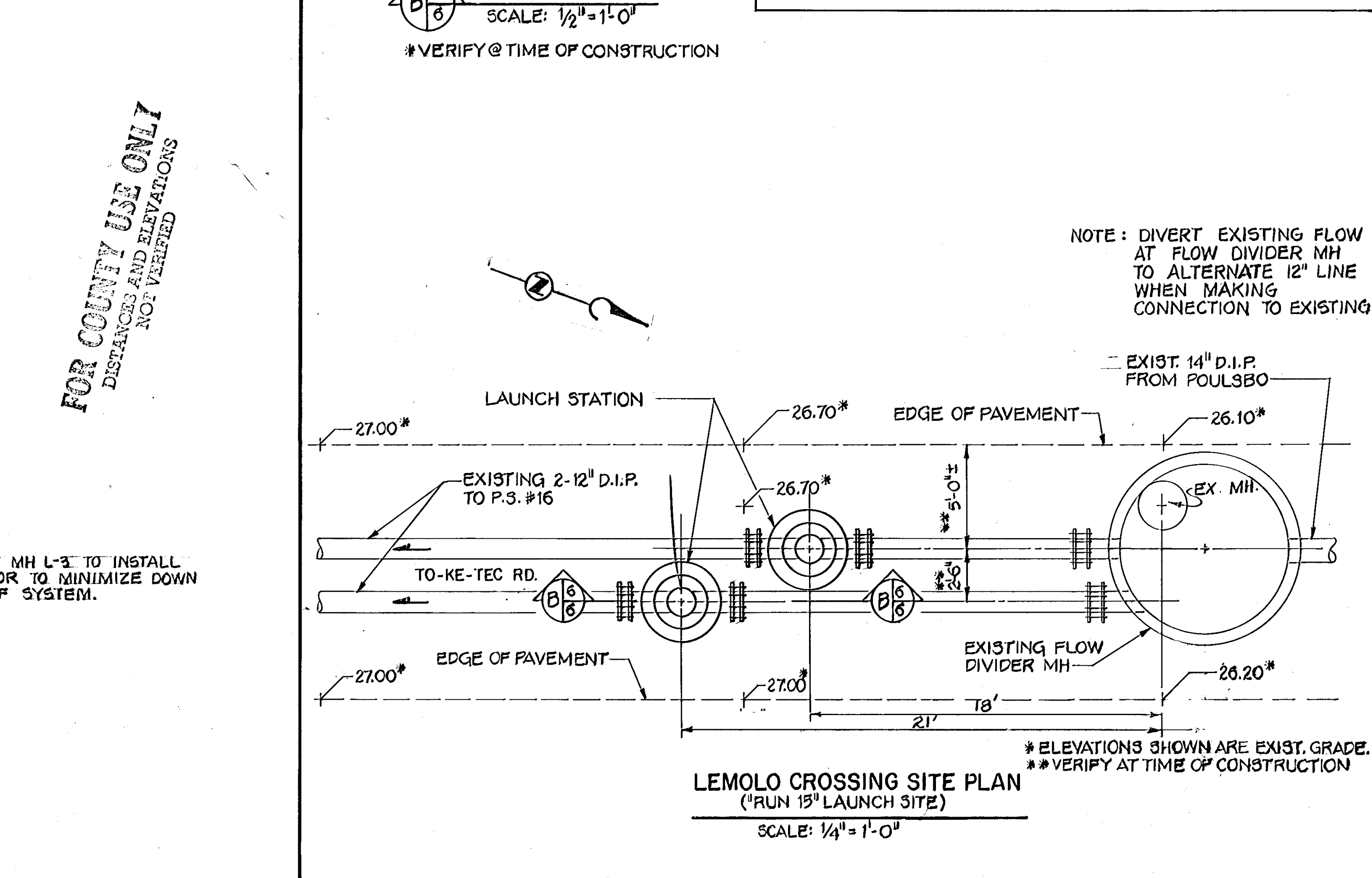
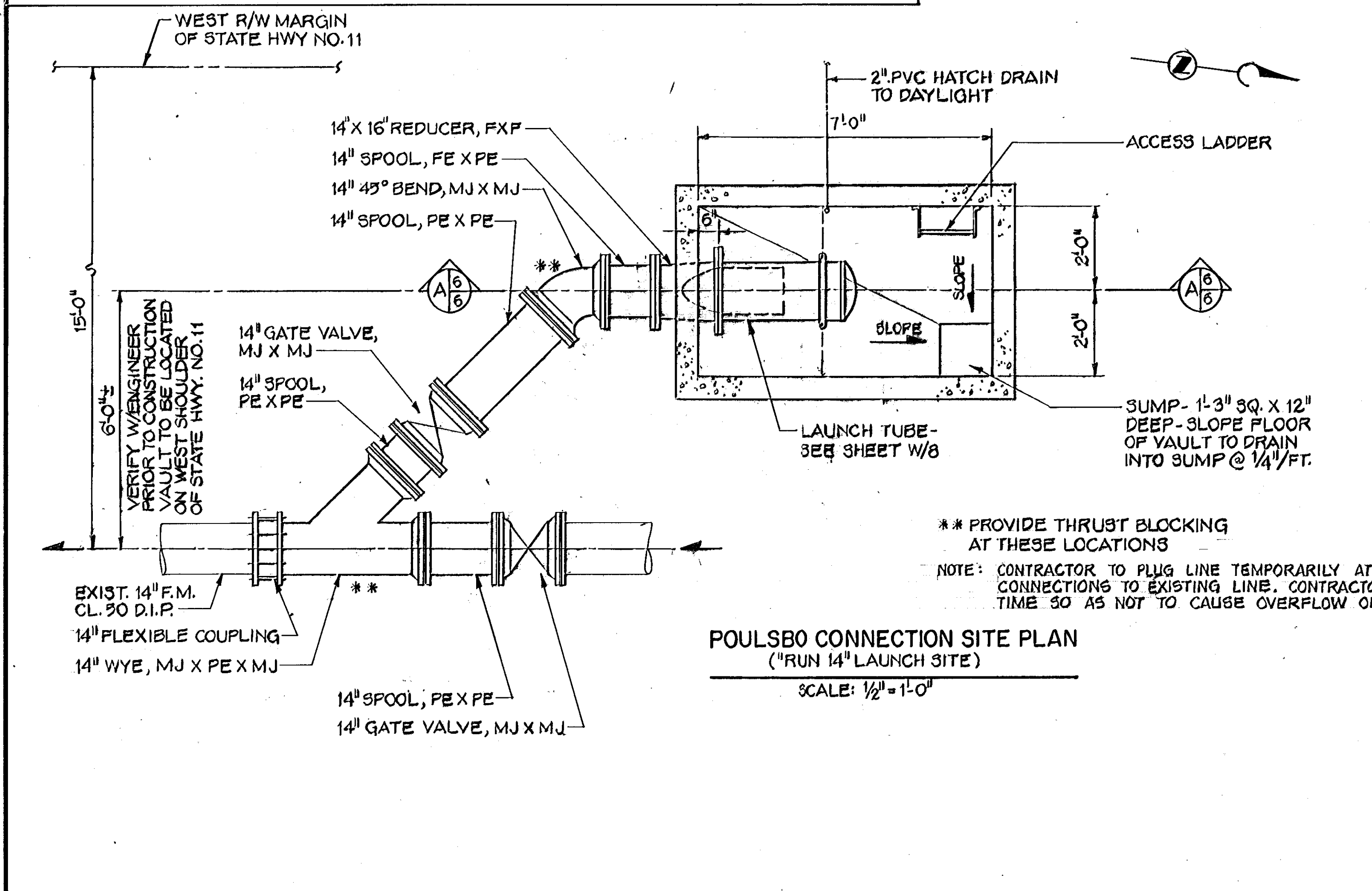
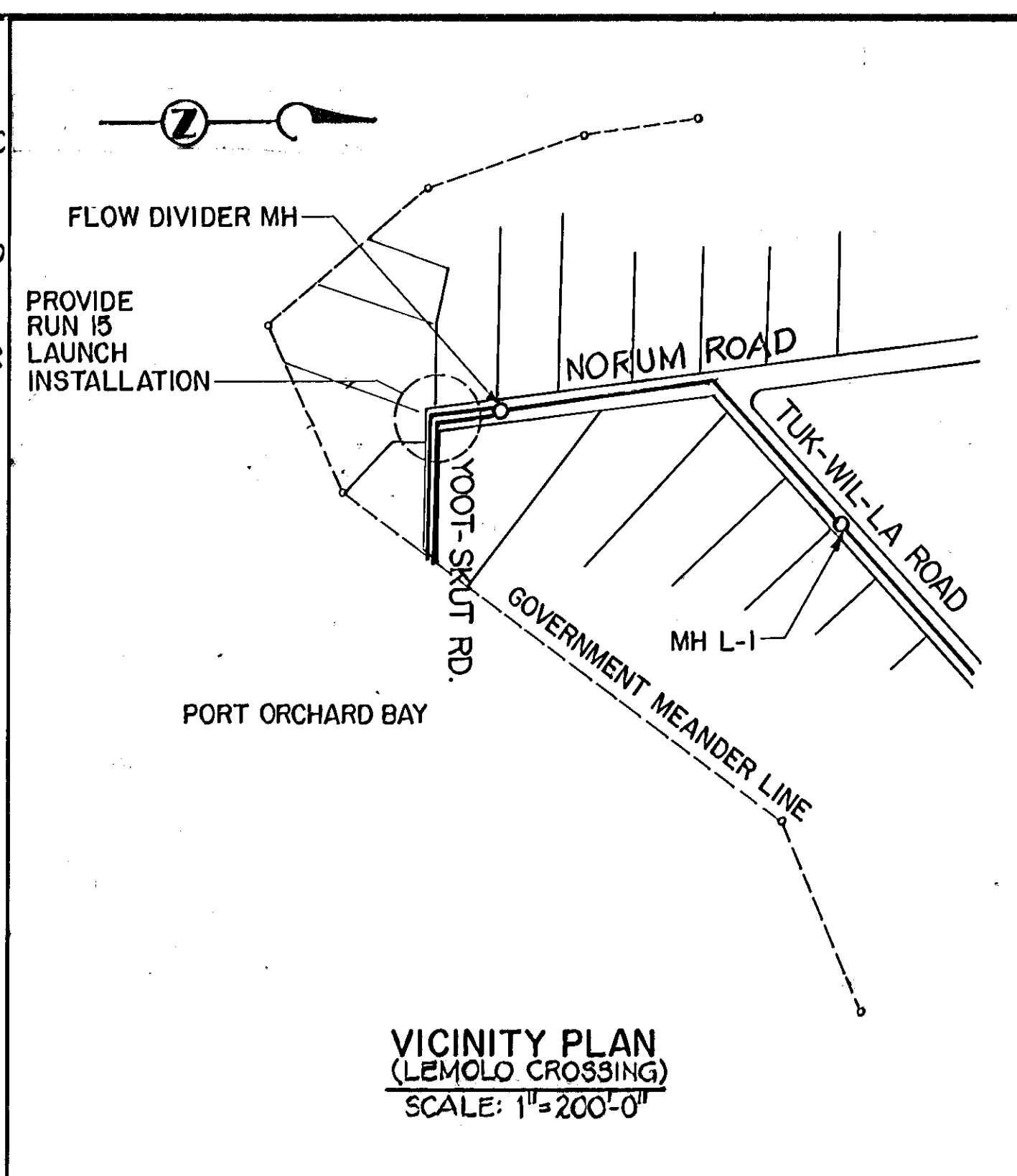
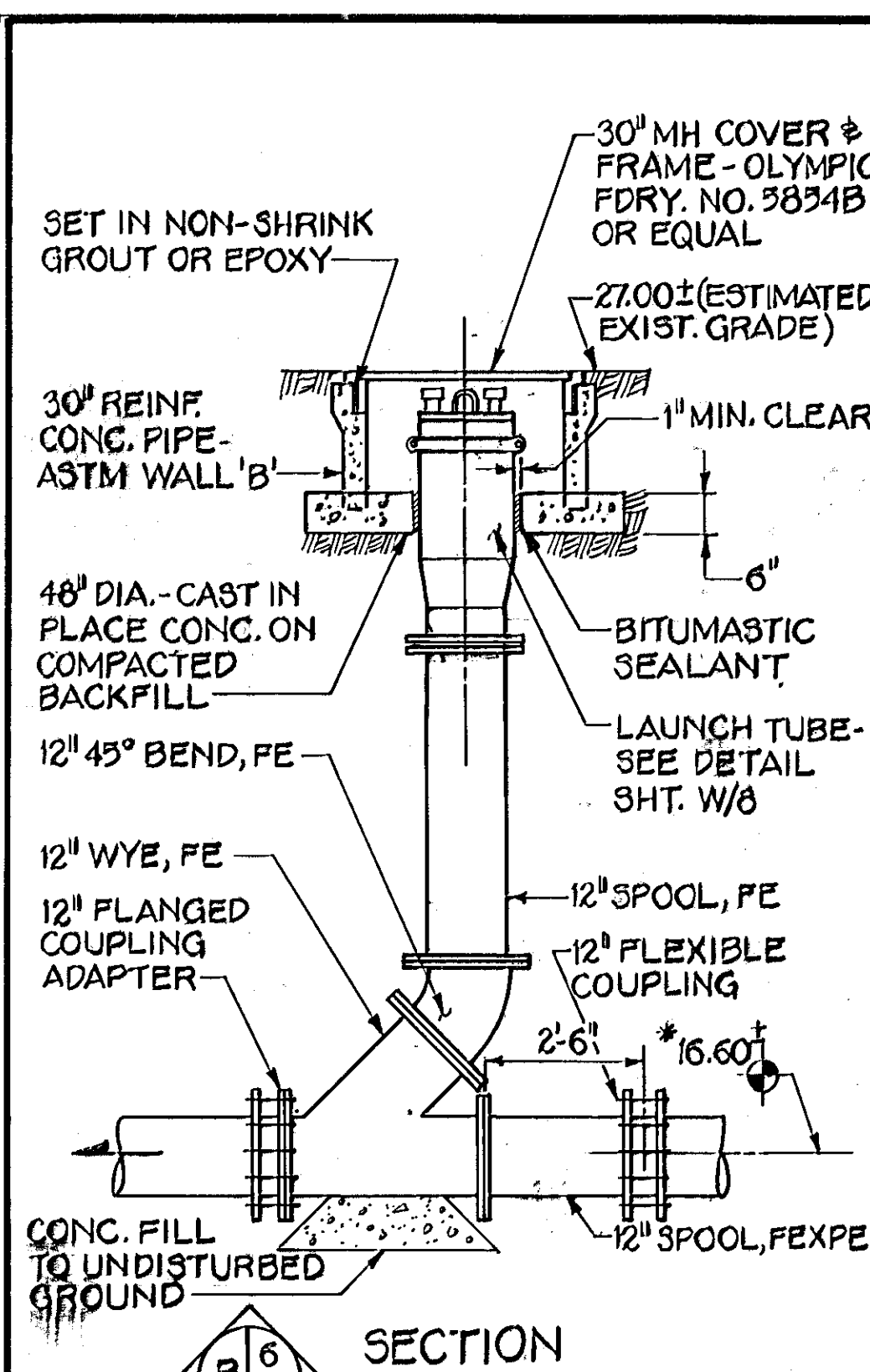
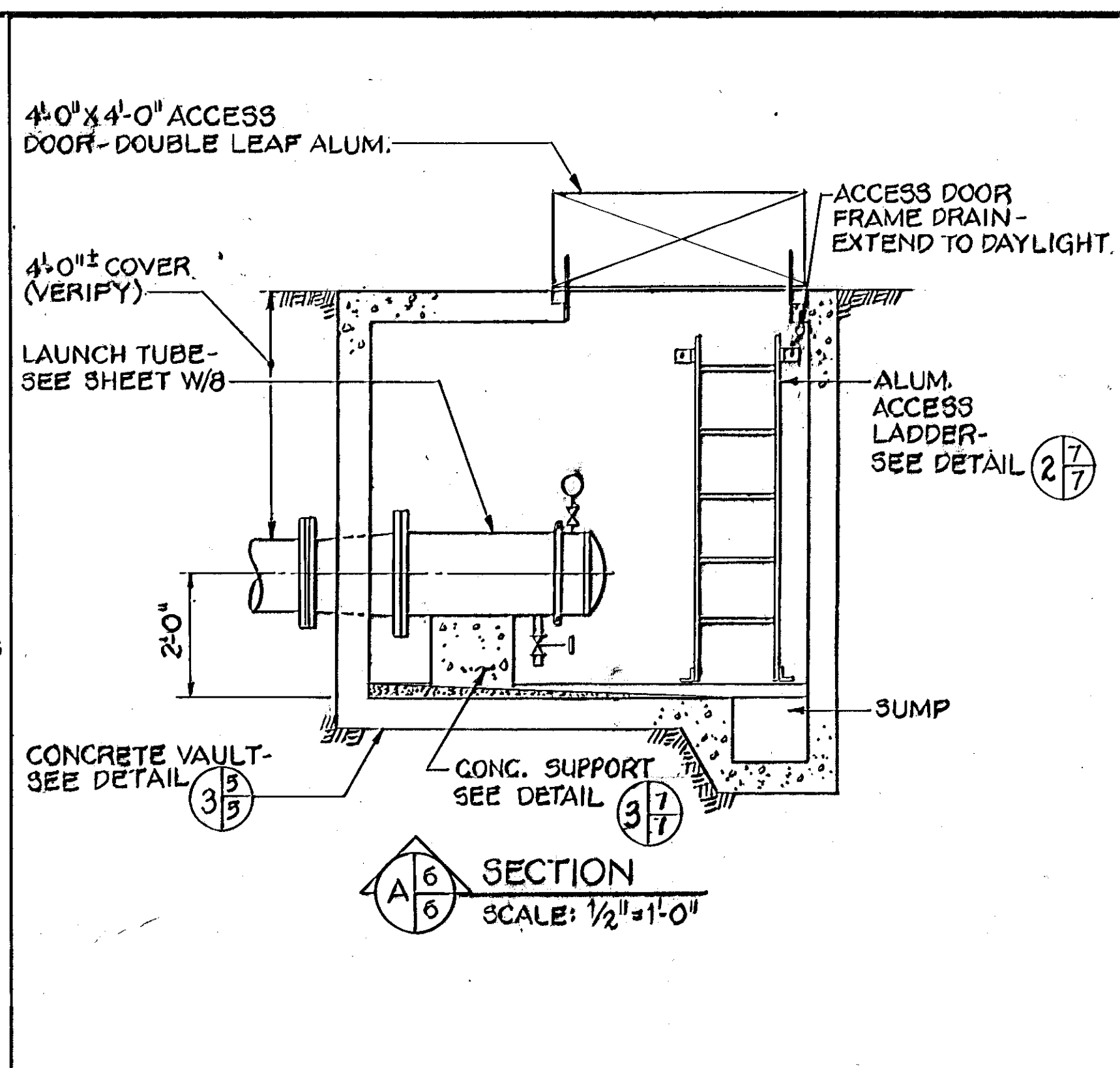
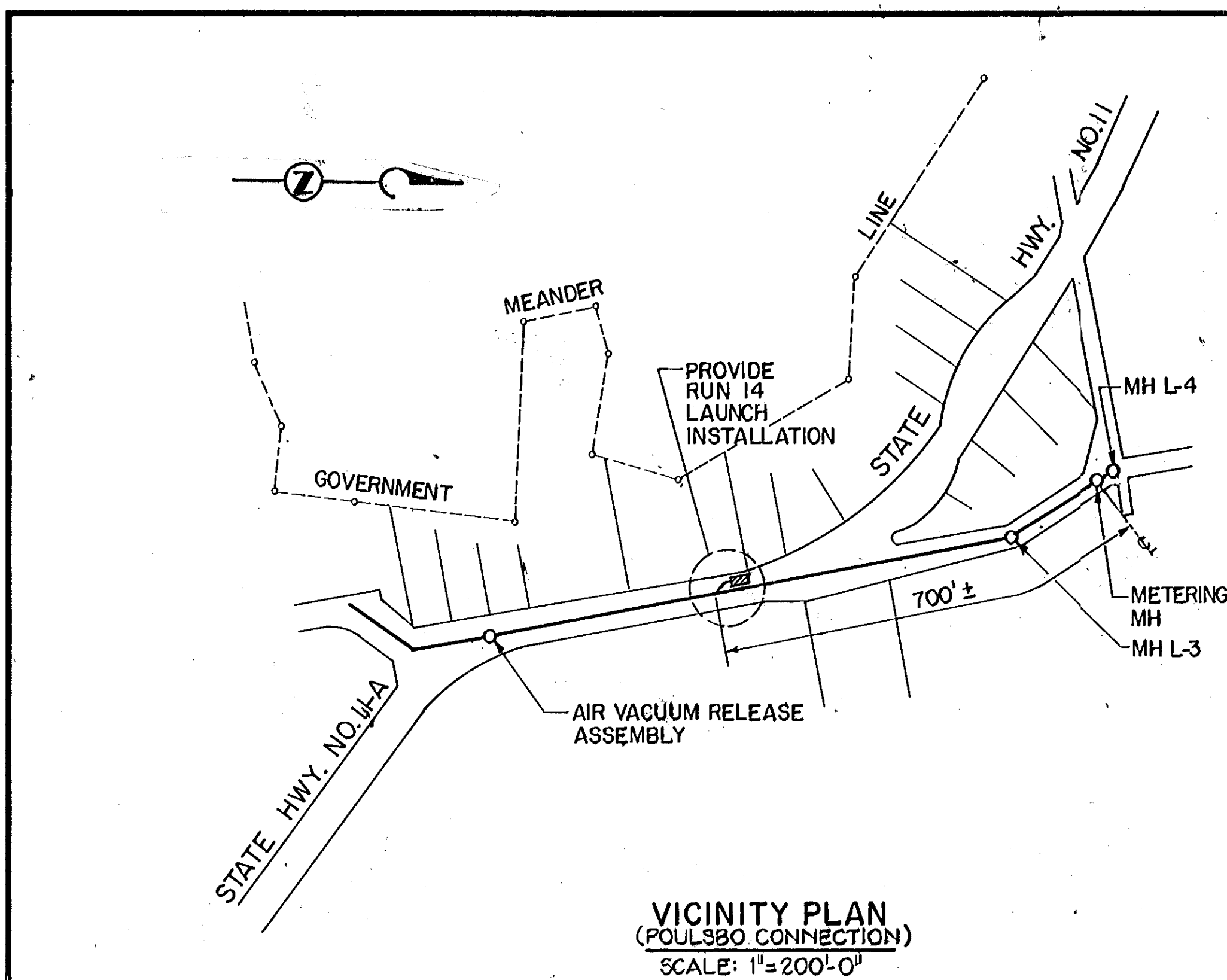
KITSAP COUNTY
 CENTRAL KITSAP WASTEWATER
 FACILITIES

INTERCEPTOR SEWERS
 DETAIL SHEET
 CONTRACT VI

SHEET 10

3.616-10

3.616-10



FOR COUNTY USE ONLY
DISTANCES AND ELEVATIONS
NOT VERIFIED

** PROVIDE THRUST BLOCKING AT THESE LOCATIONS
NOTE: CONTRACTOR TO PLUG LINE TEMPORARILY AT MH L-3 TO INSTALL CONNECTIONS TO EXISTING LINE. CONTRACTOR TO MINIMIZE DOWN TIME SO AS NOT TO CAUSE OVERFLOW OF SYSTEM.

NOTE: DIVERT EXISTING FLOW AT FLOW DIVIDER MH TO ALTERNATE 12" LINE WHEN MAKING CONNECTION TO EXISTING

* ELEVATIONS SHOWN ARE EXIST. GRADE.
** VERIFY AT TIME OF CONSTRUCTION

No.	DATE	BY	REVISION
1	Sept. 86	G.R.S.	AS BUILT

JOB No.	DESIGNED:	PROJECT ENGINEER:
4464-0306-01	ER	Malcolm K. Ode
SCALE: AS SHOWN	DRAWN BY:	APPROVED BY:
	GM	Thomas J. DeLant
	CHECKED BY:	DATE:
	MO	JULY, 1985

URS CORPORATION
ARCHITECTURAL & ENGINEERING CONSULTANTS

2015 Fourth Avenue
Fourth & Vine Building
Seattle, Washington 98121

MALCOLM K. ODE
REGISTERED PROFESSIONAL ENGINEER

THOMAS J. DELANT
REGISTERED PROFESSIONAL ENGINEER

KITSAP COUNTY
CENTRAL KITSAP
WASTEWATER FACILITIES

CONTRACT XV
LAUNCH STATION SITE PLANS
AT POULSBO CONNECTION
& LEMOLO CROSSING

SHEET: W 6
SHT. 6 OF 9